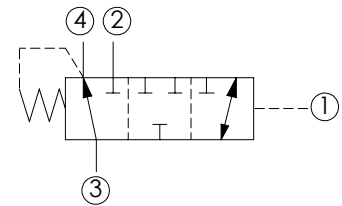
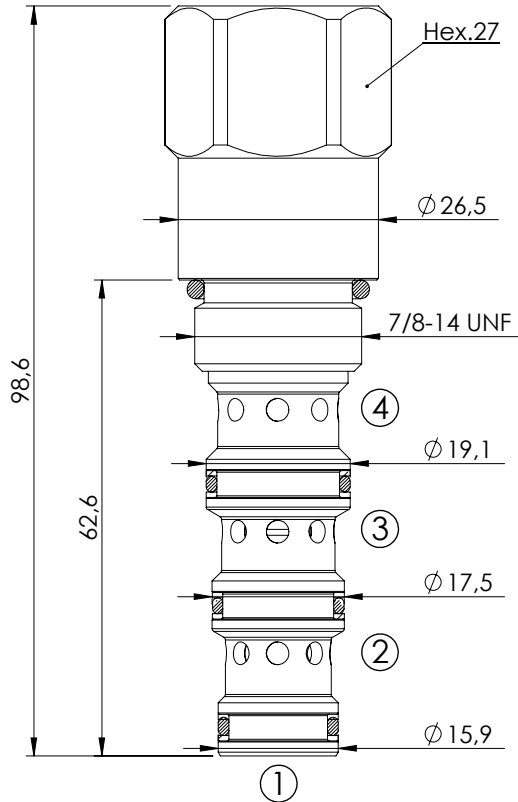
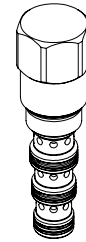


LOGIC ELEMENT

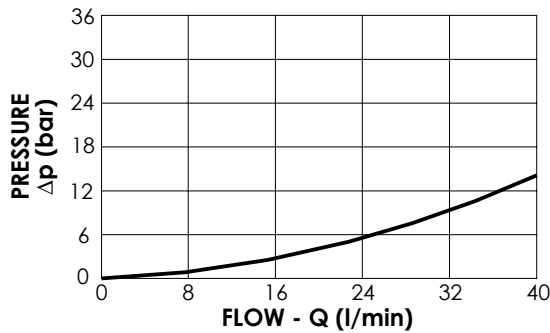
# CDLN-040-CDTK

DIRECT ACTING  
SPOOL TYPE



## SPECIFICATIONS

Max. operating pressure:	350 bar
Rated flow:	40 l/min
Cavity:	SAE-10-4N
Weight:	0,23 kg
Internal leakage:	50 cc/min



## NOTES

Installation torque:	50-57 Nm
Seal kit:	RB700102

## ORDERING CODES

Quick code	Description	Standard setting (bar, Q=5 l/min)	
CD000300	CDLN-040-CDTK-FN-S10-N003	3 (±1)	
CD000260	CDLN-040-CDTK-FN-S10-N011	11(±1)	