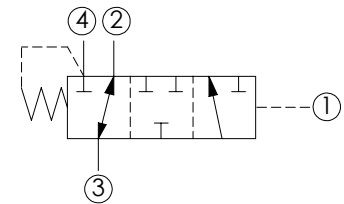
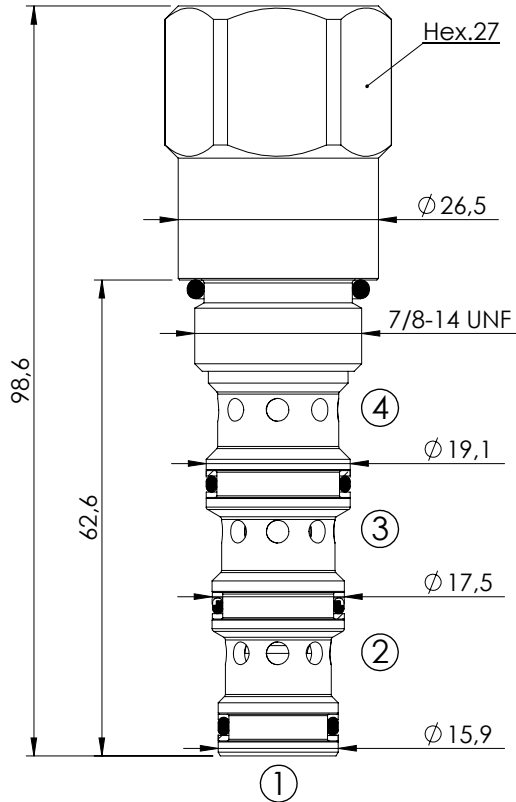
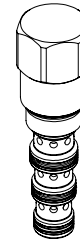


LOGIC ELEMENT

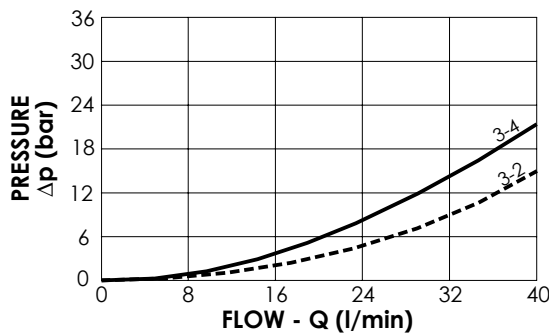
CDLN-040-CDTH

DIRECT ACTING
SPOOL TYPE



SPECIFICATIONS

Max. operating pressure:	350 bar
Rated flow:	40 l/min
Cavity:	SAE-10-4N
Weight:	0,23 kg
Internal leakage:	50 cc/min



NOTES

Installation torque:	50-57 Nm
Seal kit:	RB700102

ORDERING CODES

Quick code	Description	Standard setting (bar, Q=5 l/min)	
CD000377	CDLN-040-CDTH-FN-S10-N003	3 (±1)	
CD000261	CDLN-040-CDTH-FN-S10-N011	11 (±1)	
CD000343	CDLN-040-CDTH-FH-S10-N015	15 (±1)	
CD000276	CDLN-040-CDTH-FH-S10-N030	30 (±1)	
CD000262	CDLN-040-CDTH-FH-S10-N050	50 (±1)	