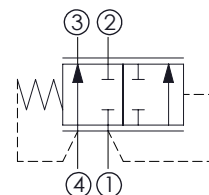
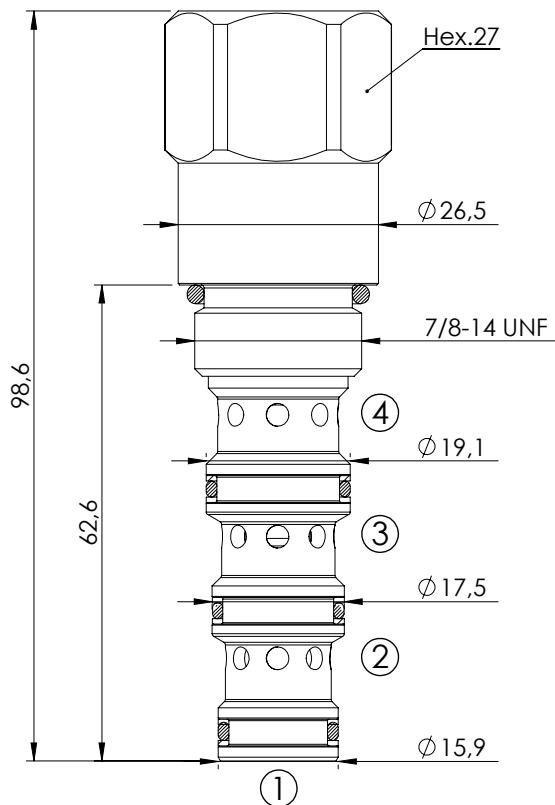
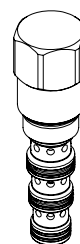


LOGIC ELEMENT

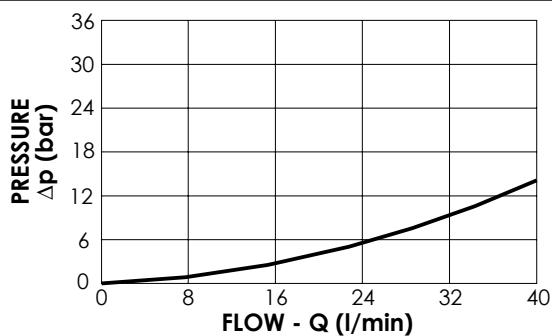
CDLN-040-CDPB

DIRECT ACTING
SPOOL TYPE



SPECIFICATIONS

Max. operating pressure:	350 bar
Rated flow:	40 l/min
Cavity:	SAE-10-4N
Weight:	0,23 kg
Internal leakage:	50 cc/min



NOTES

Installation torque:	50-57 Nm
Seal kit:	RB700102

ORDERING CODES

Quick code	Description	Standard setting (bar, Q=5 l/min)	
CD000295	CDLN-040-CDPB-FH-S10-N005	5 (±0,5)	
CD000296	CDLN-040-CDPB-FH-S10-N011	11,5 (±0,5)	