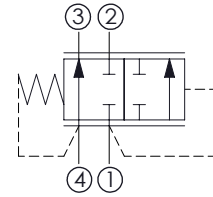
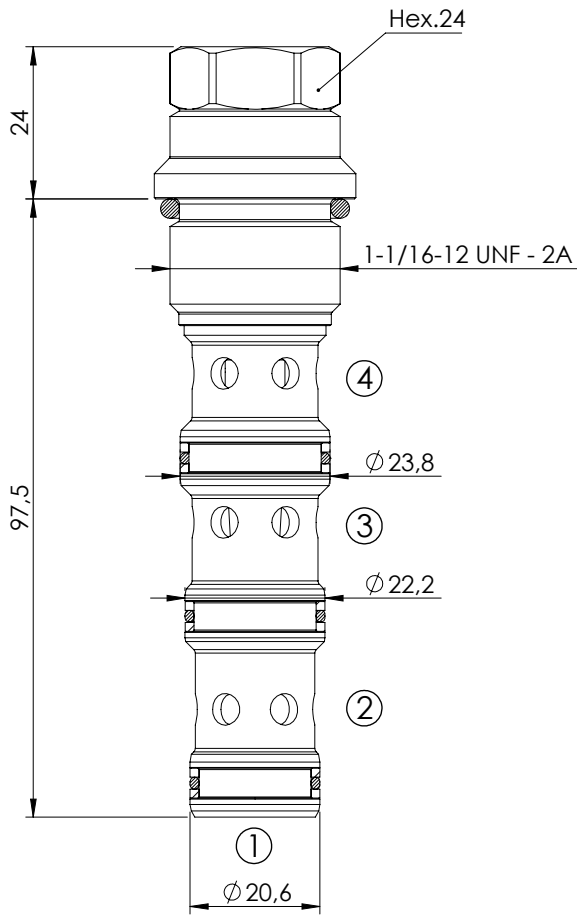


LOGIC ELEMENTS

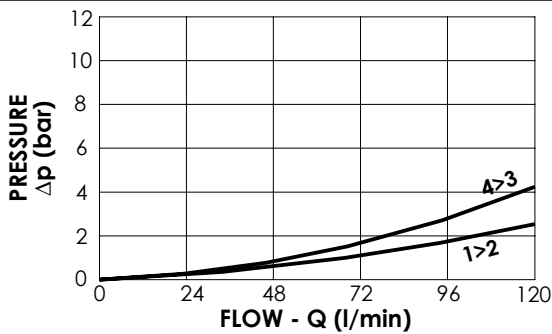
**CDLN-120-CDPB**

DIREC ACTING  
SPOOL TYPE



**SPECIFICATIONS**

Max. operating pressure:	350 bar
Rated flow:	120 l/min
Cavity:	SAE-12-4N
Weight:	0,31 kg



**NOTES**

Installation torque:	50 - 60 Nm
Seal kit:	RB700103

**ORDERING CODES**

Quick code	Description	Cracking pressure (bar)	
CD000336	CDLN-120-CDPB-FH-S12-N010	10	