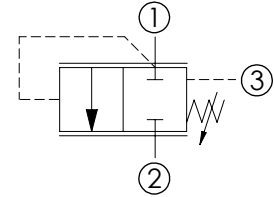
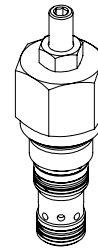
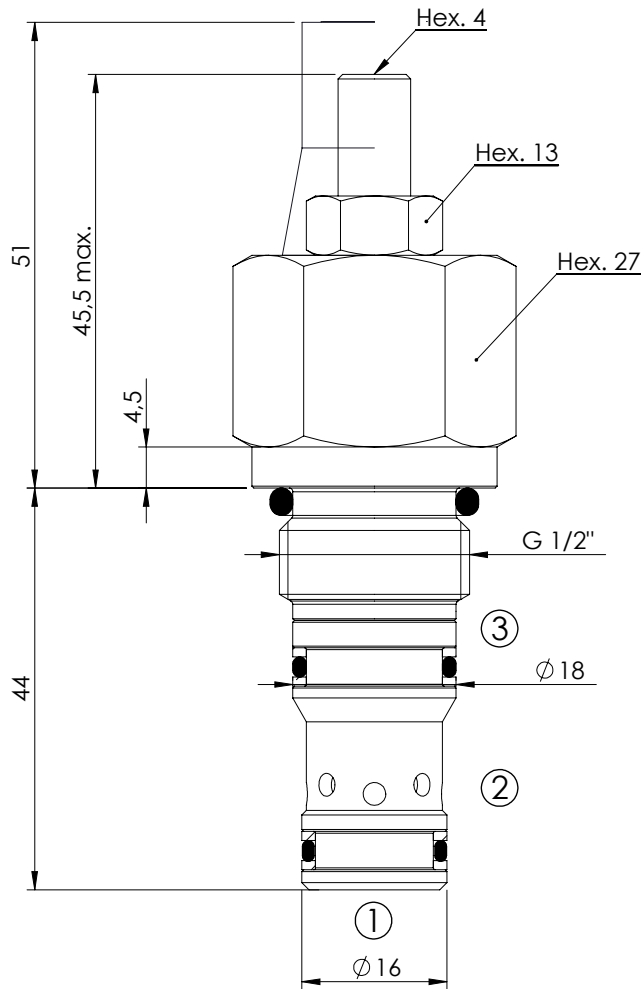


LOGIC ELEMENT

# CDLN-100-SCPC

NORMALLY CLOSED  
SPOOL TYPE  
ADJUSTABLE SETTING

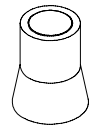


## SPECIFICATIONS

Max. operating pressure:	350 bar
Rated flow:	100 l/min
Cavity:	VP000198
Weight:	0,19 kg
Spool:	Ø10 mm

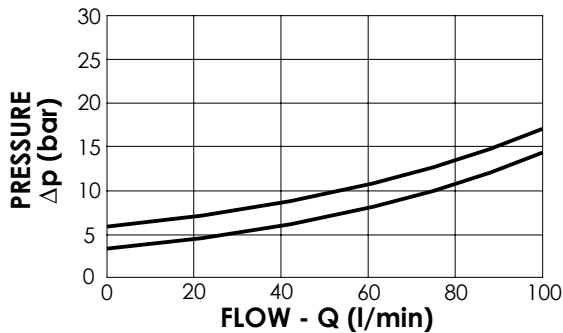
## SEALING CAP

Ordering code:  
AT000020



## NOTES

Installation torque:	75 - 85 Nm
Seal kit:	RD700198
Parts in body compensator	



## ORDERING CODES

Quick code	Description	Setting range (bar)	
CD000358	CDLN-100-SCPC-01-198-H020	10 - 20	