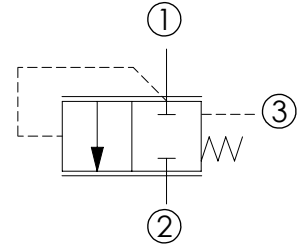
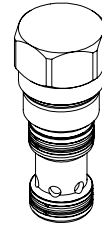
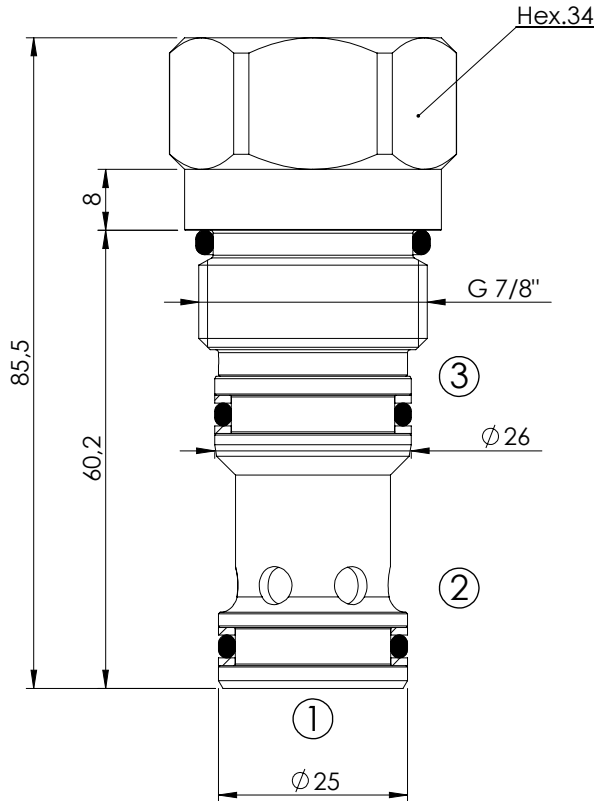


LOGIC ELEMENT

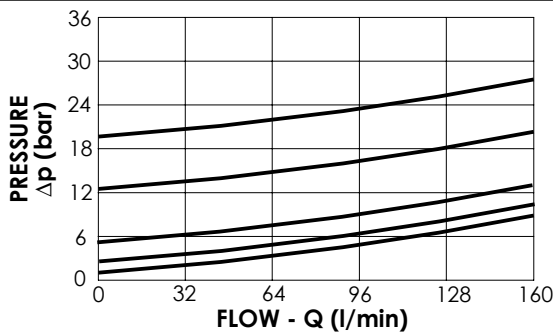
CDLN-160-SCTC

NORMALLY CLOSED
SPOOL TYPE



SPECIFICATIONS

Max. operating pressure:	350 bar
Rated flow:	160 l/min
Cavity:	VP000065
Weight:	0,33 kg
Spool:	Ø16 mm



NOTES

Installation torque:	135-145 Nm
Seal kit:	RD900065
Parts in body compensator	

ORDERING CODES

Quick code	Description	Cracking pressure (bar)	
CD000158	CDLN-160-SCTC-14-065-N000	0,4	
CD000076	CDLN-160-SCTC-14-065-N002	2	
CD000051	CDLN-160-SCTC-14-065-N005	5,5	
CD000147	CDLN-160-SCTC-14-065-N012	12,5	
CD000248	CDLN-160-SCTC-14-065-N020	20,5	