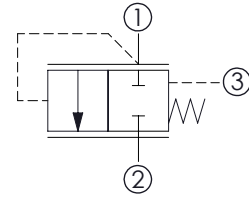
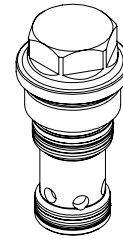
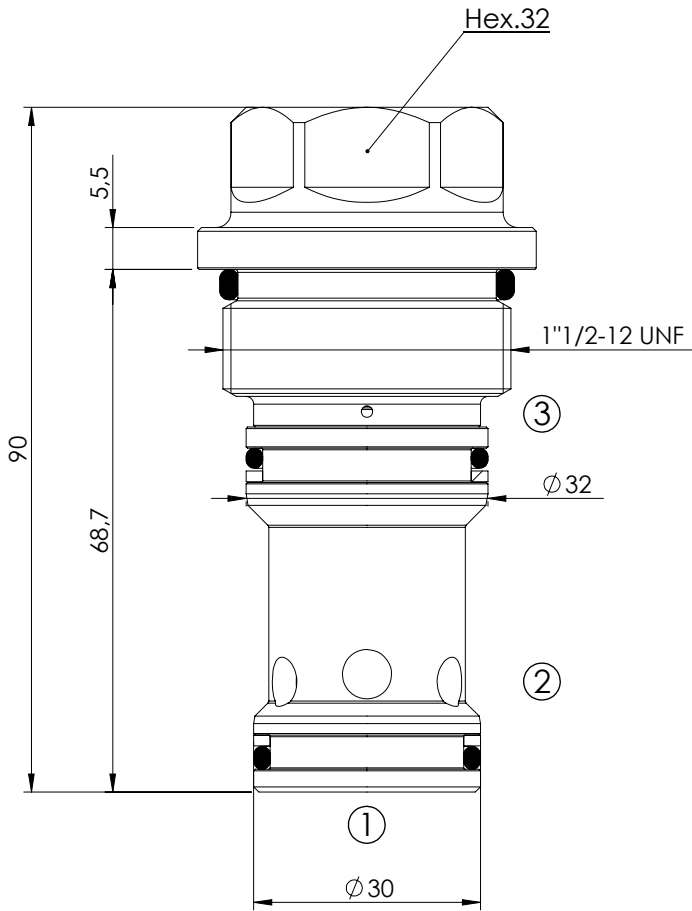


LOGIC ELEMENT

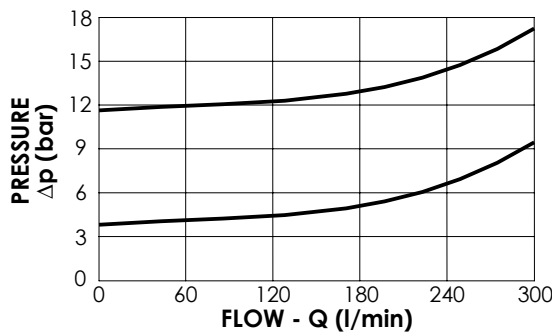
CDLN-300-SCTC

NORMALLY CLOSED
SPOOL TYPE



SPECIFICATIONS

Max. operating pressure:	350 bar
Rated flow:	300 l/min
Cavity:	VP000058
Weight:	0,57 kg
Spool:	$\varnothing 19$ mm



NOTES

Installation torque:	260-280 Nm
Seal kit:	RC700058
Parts in body compensator	

ORDERING CODES

Quick code	Description	Cracking pressure (bar)	
CD000096	CDLN-300-SCTC-14-058-N004	4	
CD000311	CDLN-300-SCTC-14-058-N012	11,5	