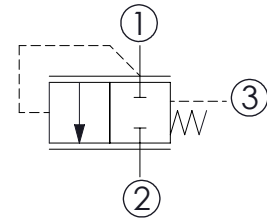
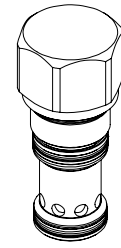
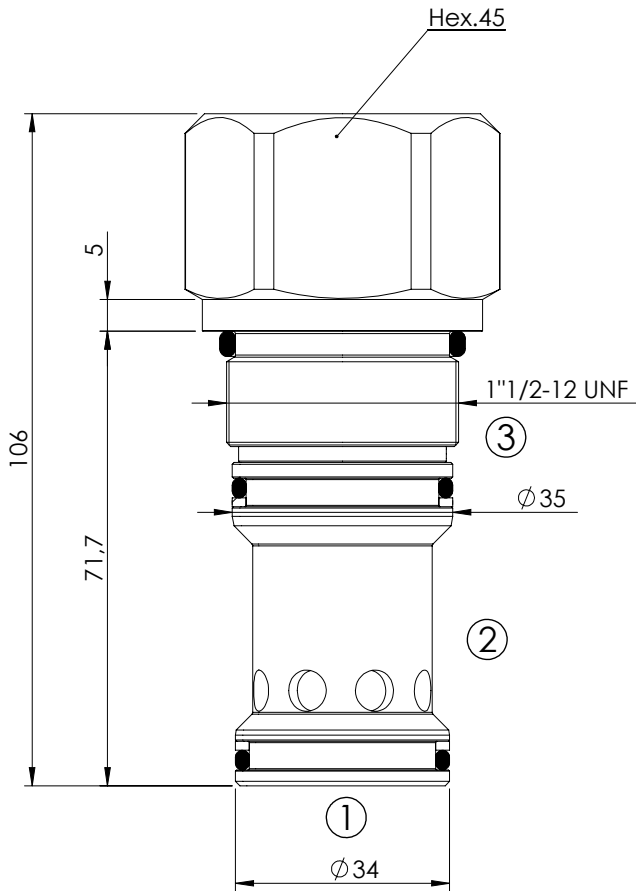


LOGIC ELEMENT

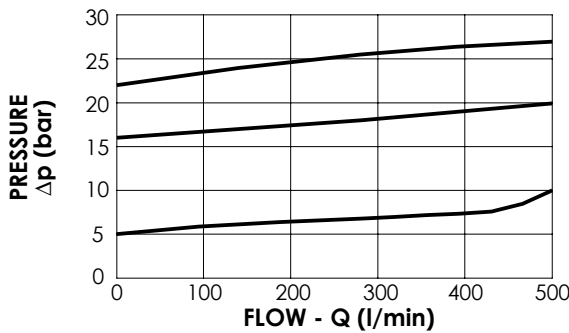
# CDLN-500-SCTC

NORMALLY CLOSED  
SPOOL TYPE



## SPECIFICATIONS

Max. operating pressure:	350 bar
Rated flow:	500 l/min
Cavity:	VP000178
Weight:	0,75 kg
Spool:	$\varnothing 22$ mm



## NOTES

Installation torque:	280-300 Nm
Seal kit:	RC700178
Parts in body compensator	

## ORDERING CODES

Quick code	Description	Cracking pressure (bar)	
CD000053	CDLN-500-SCTC-14-178-N005	5	
CD000255	CDLN-500-SCTC-14-178-N017	17	
CD000308	CDLN-500-SCTC-14-178-N023	23	