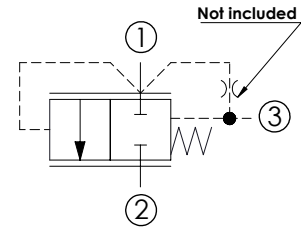
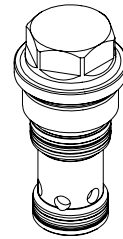
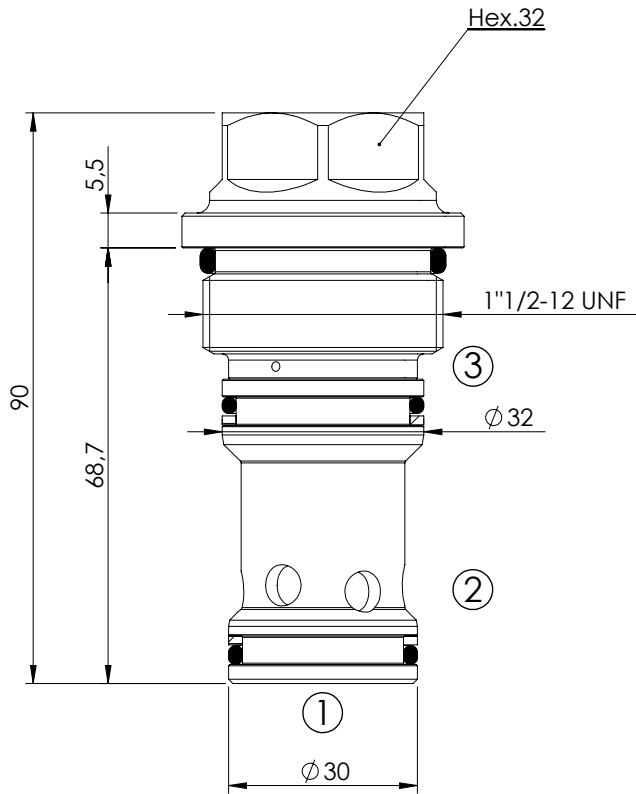


LOGIC ELEMENT

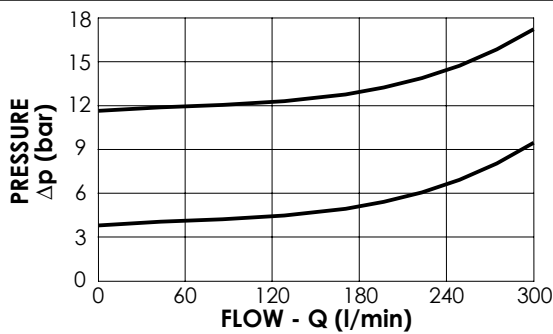
CDLN-300-SCTD

NORMALLY CLOSED
SPOOL TYPE
INTERNAL RESTRICTOR



SPECIFICATIONS

Max. operating pressure:	350 bar
Rated flow:	300 l/min
Cavity:	VP000058
Weight:	0,55 kg
Spool:	Ø19 mm
Internal orifice:	M6 thread



NOTES

Installation torque:	280-300 Nm
Seal kit:	RC700058
Parts in body compensator	

ORDERING CODES

Quick code	Description	Cracking pressure (bar)	
CD000095	CDLN-300-SCTD-13-058-N001	1,5	
CD000110	CDLN-300-SCTD-13-058-N004	4	