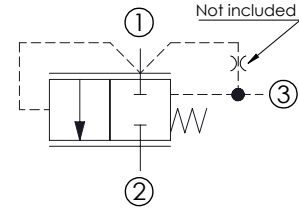
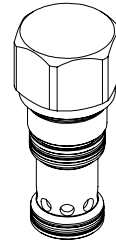
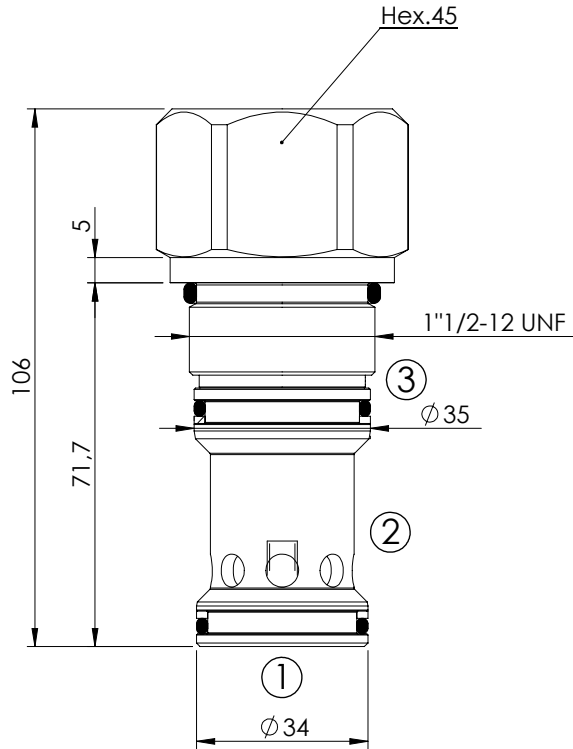


LOGIC ELEMENT

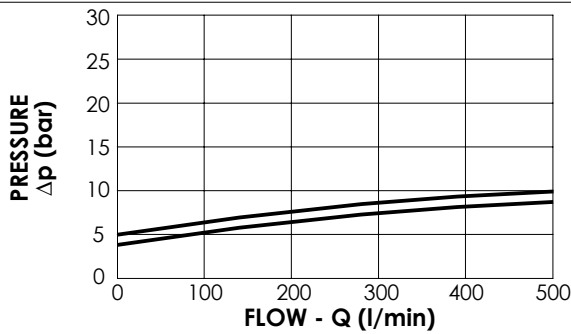
CDLN-500-SCTD

**NORMALLY CLOSED
SPOOL TYPE
INTERNAL ORIFICE**



SPECIFICATIONS

Max. operating pressure:	350 bar
Rated flow:	500 l/min
Cavity:	VP000178
Weight:	0,74 kg
Spool:	Ø22 mm
Internal orifice:	M6 thread



NOTES

Installation torque:	180-250 Nm
Seal kit:	RC700178
Parts in body compensator	

ORDERING CODES

Quick code	Description	Cracking pressure (bar)	
CD000067	CDLN-500-SCTD-13-178-N005	5	
CD000335	CDLN-500-SCTD-13-178-N004	4	