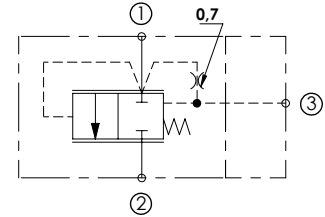
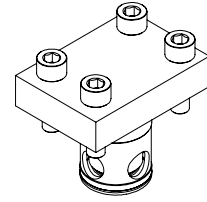
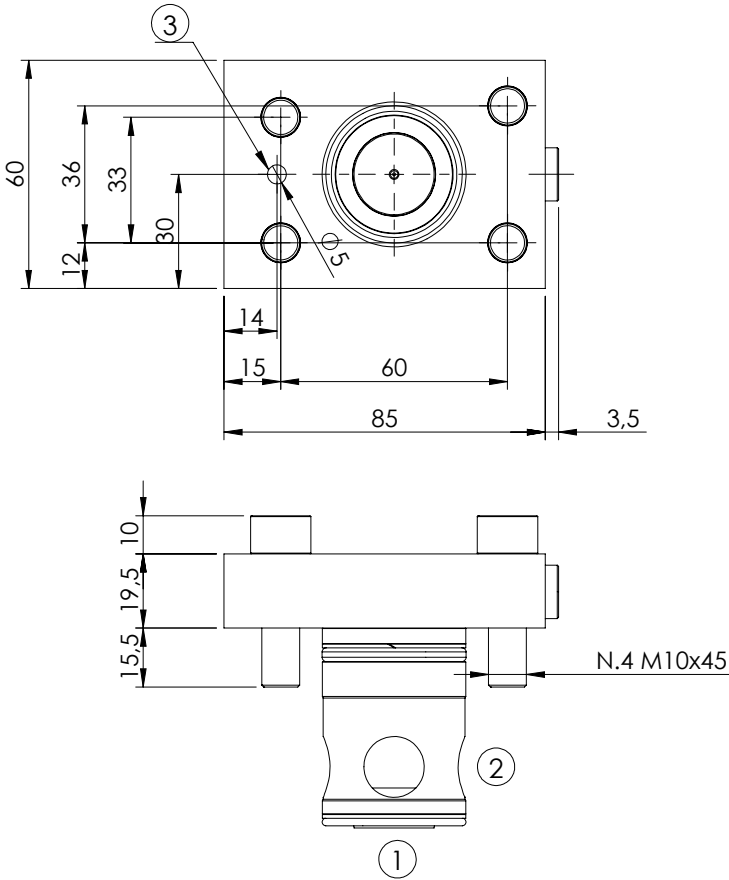


LOGIC ELEMENTS

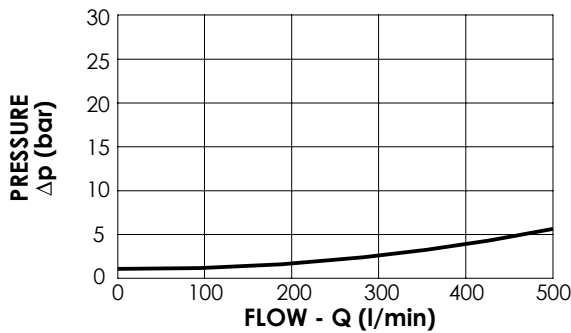
CDLN-500-PCPS

**NORMALLY CLOSED
POPPET TYPE
EXTERNALLY PILOTED**



SPECIFICATIONS

Max. operating pressure:	350 bar
Rated flow:	500 l/min
Cavity:	VP000189
Weight:	1,1 kg



NOTES

Seal kit:	RC700189
-----------	----------

ORDERING CODES

Quick code	Description	Main ports size	Standard setting (bar, Q=1 l/min)	Configuration
CD000376	CDLN-500-PCPS-01-189-N350	T: G1/8"	1	Logic element + cover
SC000049	SCLN-500-PCPS-01-189-N350			Logic element