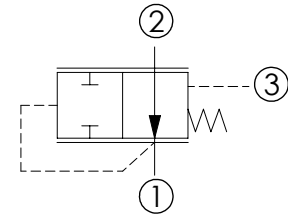
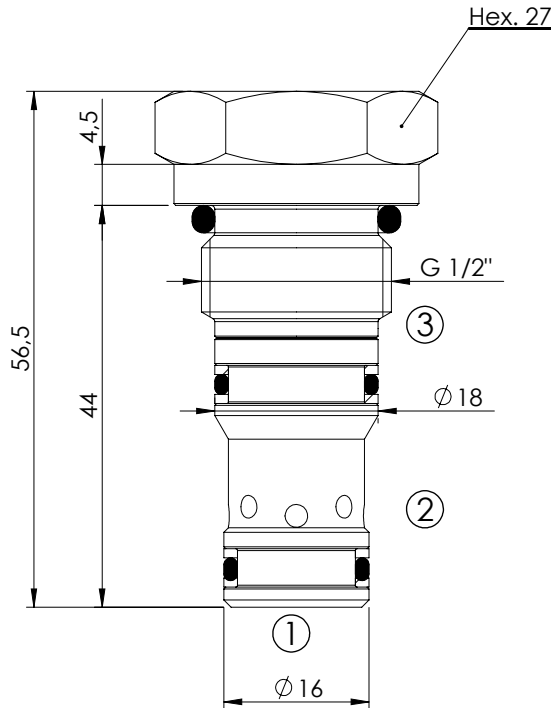
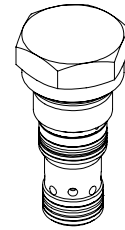


LOGIC ELEMENT

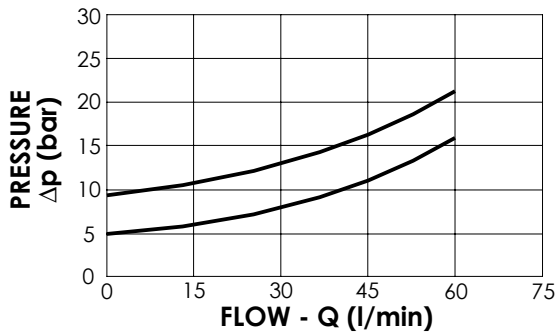
CDLN-060-SCPR

**NORMALLY OPEN
SPOOL TYPE**



SPECIFICATIONS

Max. operating pressure:	350 bar
Rated flow:	60 l/min
Cavity:	VP000198
Weight:	0,12 kg
Spool:	Ø10 mm



NOTES

Installation torque:	75 - 85 Nm
Seal kit:	RD700198
Parts in body compensator	

ORDERING CODES

Quick code	Description	Closing pressure (bar)	
CD000078	CDLN-060-SCPR-11-198-N005	5	
CD000184	CDLN-060-SCPR-11-198-N009	9,5	