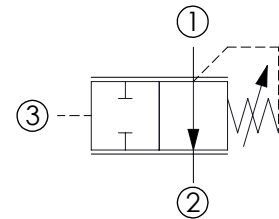
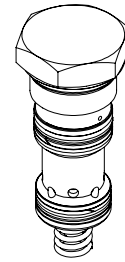
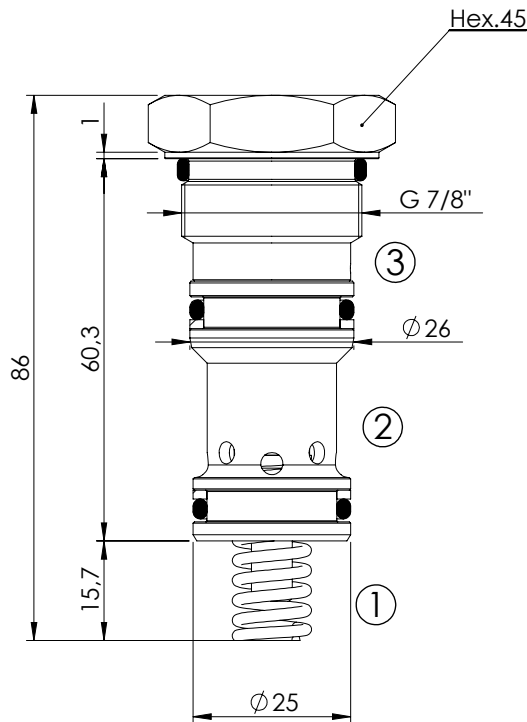


LOGIC ELEMENT

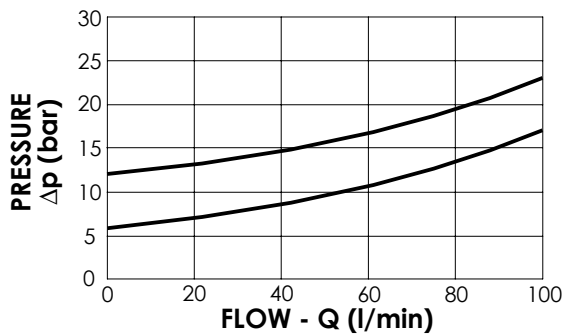
# CDLN-100-SBPE

NORMALLY OPEN  
SPOOL TYPE



## SPECIFICATIONS

Max. operating pressure:	350 bar
Rated flow:	100 l/min
Cavity:	VP000330
Weight:	0,27 kg
Spool:	$\phi 16$ mm



## NOTES

Installation torque:	135-145 Nm
Seal kit:	RC700330
Parts in body compensator	

## ORDERING CODES

Quick code	Description	Closing pressure (bar)	
CD000115	CDLN-100-SBPE-01-065-N005	5	