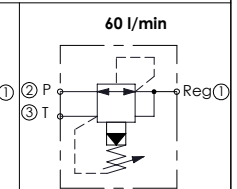
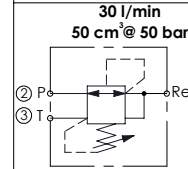
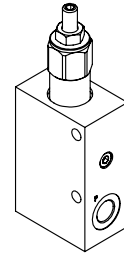
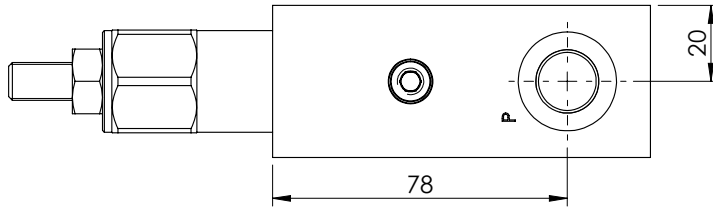
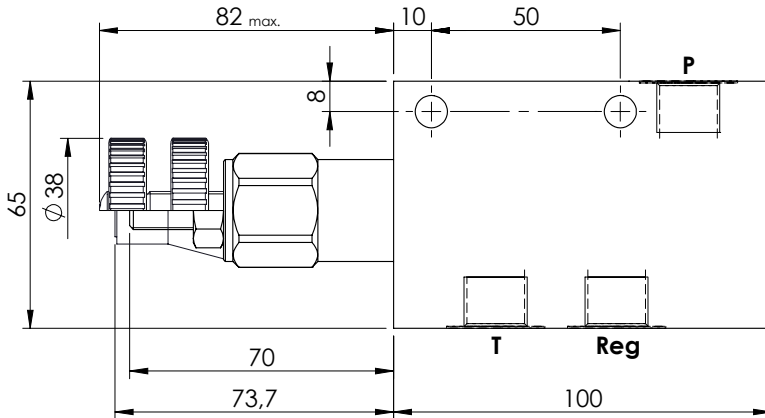
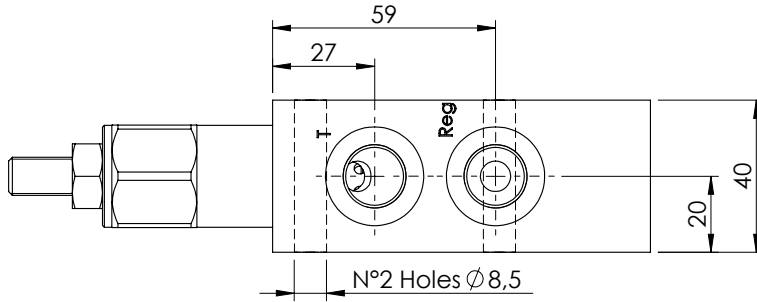


PRESSURE REDUCING AND RELIEVING IN BODY

KPRL-030-DNNR

**DIRECT/PILOT ACTING
SPOOL TYPE**



KR00011
KR00012
KR00013
KR00014

KR00015
KR00016

SPECIFICATIONS

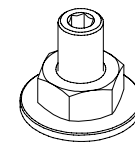
Max. operating pressure:	250 bar
Rated flow:	30 l/min - 60 l/min
Cavity:	SAE-10-3N
Weight:	0,87 Kg
Leakage direct:	50cm ³ @ 50 bar
Manifold:	Aluminium

SEALING CAP

Ordering code:
AT000021



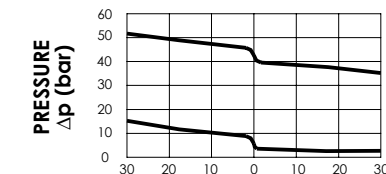
OPTIONS



Adjustment
with Screw

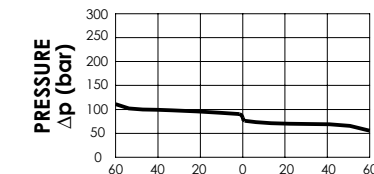


Adjustment
with Handknob



Relieving ← FLOW - Q (l/min) → Reducing

KR00011
KR00012
KR00013
KR00014



Relieving ← FLOW - Q (l/min) → Reducing

KR00015
KR00016

ORDERING CODES

Quick code	Description	Ports	Standard setting (bar)	Adjust. range (bar)	Pressure increase (bar/turn)	Options
KR00011	KPRL-030-DNNR-HN-G38-N250	G 3/8"	5	1.5-15	1.6	Adjustment with Screw
KR00012	KPRL-030-DNNR-VN-G38-N250	G 3/8"	5	1.5-15	1.6	Adjustment with Handknob
KR00013	KPRL-030-DNNR-HN-G38-N250	G 3/8"	35	10-50	7	Adjustment with Screw
KR00014	KPRL-030-DNNR-VN-G38-N250	G 3/8"	35	10-50	7	Adjustment with Handknob
KR00015	KPRL-060-PNNR-HN-G38-N250	G 3/8"	80	20-110	37	Adjustment with Screw
KR00016	KPRL-060-PNNR-VN-G38-N250	G 3/8"	80	20-110	37	Adjustment with Handknob