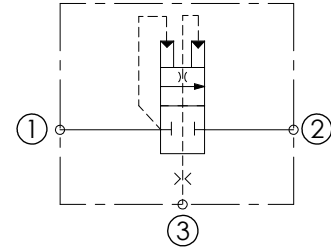
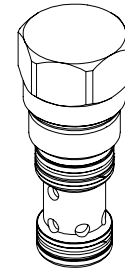
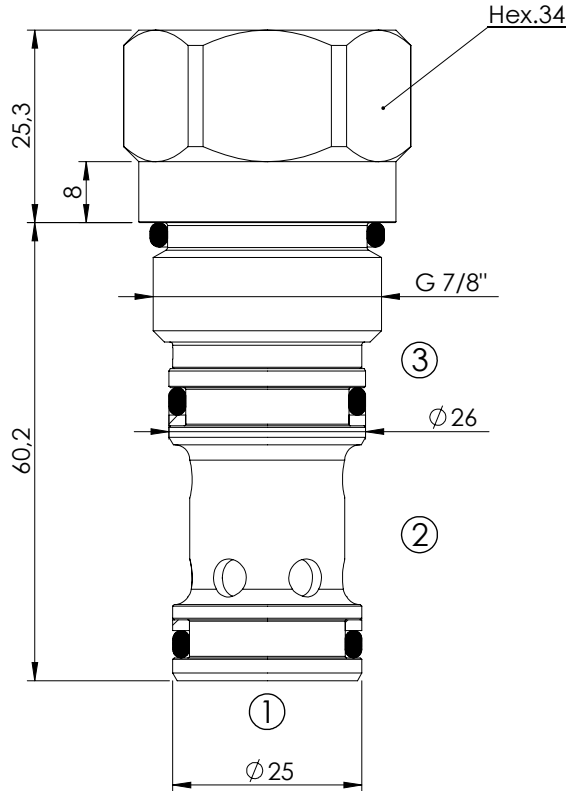


LOGIC ELEMENT

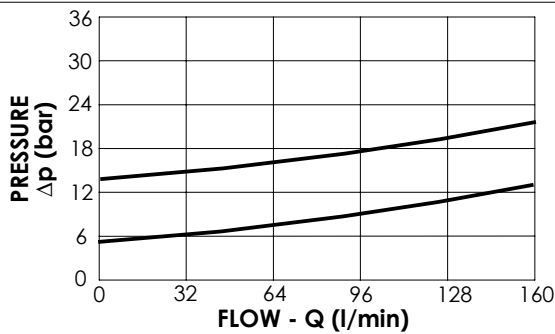
CDLN-160-SCTS

NORMALLY CLOSED
SPOOL TYPE
KICK DOWN TYPE



SPECIFICATIONS

Max. operating pressure:	350 bar
Rated flow:	160 l/min
Cavity:	VP000065
Weight:	0,33 kg
Spool:	$\phi 16$ mm



NOTES

Installation torque:	140 - 150 Nm
Seal kit:	RC900065
Parts in body compensator	

ORDERING CODES

Quick code	Description	Cracking pressure (bar)	
CD000298	CDLN-160-SCTS-01-065-N005	5	
CD000299	CDLN-160-SCTS-01-065-N014	14	