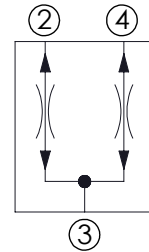
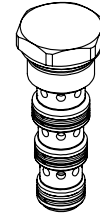
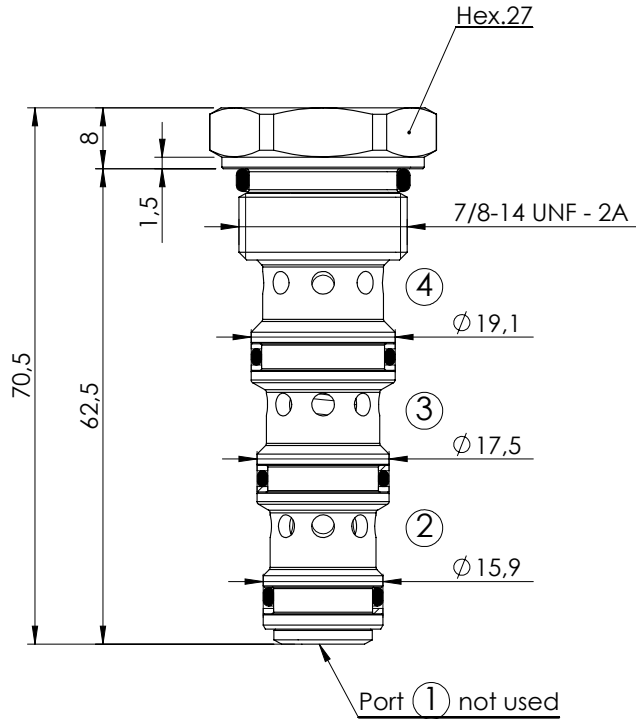


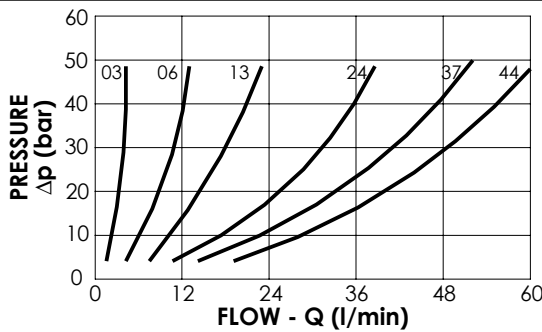
FLOW DIVIDER AND COMBINER

CFDT-055-BFRR



SPECIFICATIONS

Max. operating pressure:	350 bar
Division or combination:	50%-50%
Cavity:	SAE-10-4N -3P
Weight:	0,13 kg
Installation torque:	40 - 65 Nm



NOTES

Seal kit: **RB700102**

Flow divider accuracy: $\pm 7/8\%$ between 40-100% of max. input flow

- Other dividing ratios available.

ORDERING CODES

Quick code	Description	Inlet range Flow (l/min)	
CF000047	CFDT-055-BFRR-03-S10-N350	1,2-3	
CF000048	CFDT-055-BFRR-06-S10-N350	3-6	
CF000049	CFDT-055-BFRR-13-S10-N350	6-13	
CF000050	CFDT-055-BFRR-24-S10-N350	10-24	
CF000001	CFDT-055-BFRR-37-S10-N350	15-37	
CF000051	CFDT-055-BFRR-44-S10-N350	18-44	