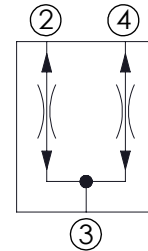
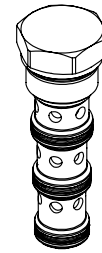
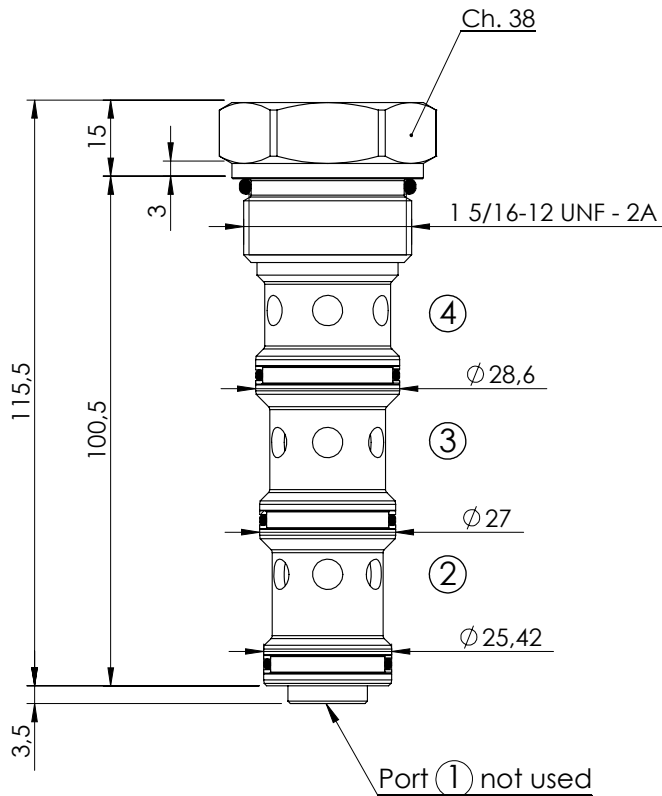


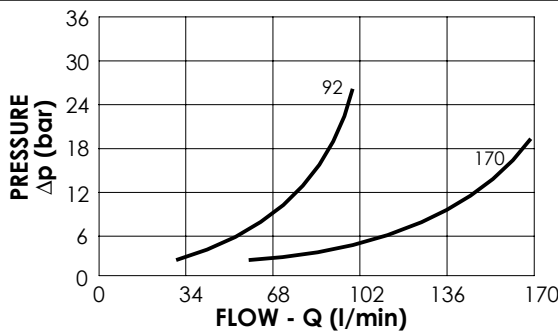
**FLOW DIVIDER AND COMBINER**

**CFDT-160-BFRR**



**SPECIFICATIONS**

Max. operating pressure:	350 bar
Division or combination:	50%-50%
Cavity:	SAE-16-4N
Weight:	0,36 kg
Installation torque:	145 - 170 Nm



**NOTES**

Seal kit: **RB700104**

Flow divider accuracy:  $\pm 7/8\%$  between 40-100% of max. input flow

- Other dividing ratios available.

**ORDERING CODES**

Quick code	Description	Inlet range Flow (l/min)	
CF000142	CFDT-160-BFRR-92-S16-N350	28 - 92	
CF000144	CFDT-160-BFRR-170-S16-N350	48 - 170	