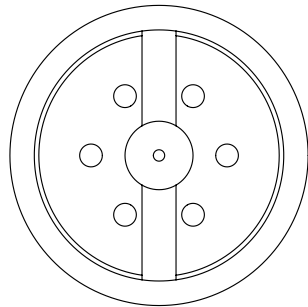
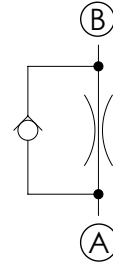
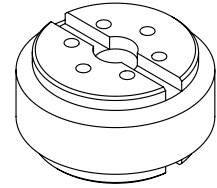
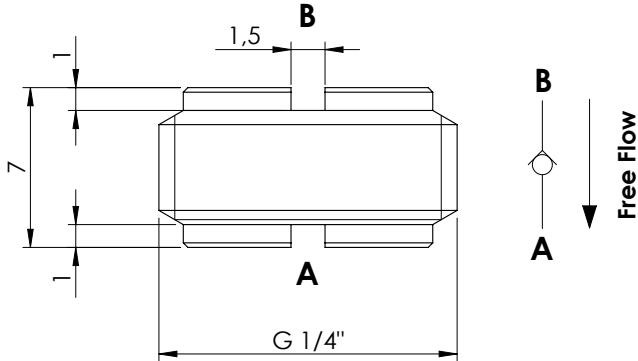


FLOW CONTROL VALVES

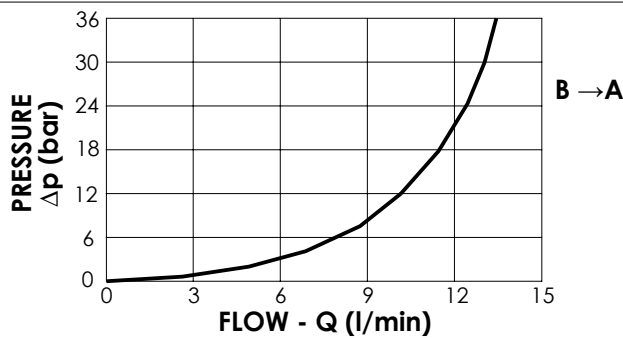
**CFFN-015-MFSR**

INSERT TYPE  
DOUBLE MOUNTING



**SPECIFICATIONS**

Max. operating pressure:	350 bar
Rated flow:	15 l/min
Cavity:	G 1/4"
Weight:	0,01 kg
Installation torque:	5 Nm



**ORDERING CODES**

Quick code	Description	Ø Orifice	Quick code	Description	Ø Orifice
CF000118	CFFN-015-MFSR-05-G14-N350	0,5	CF000205	CFFN-015-MFSR-13-G14-N350	1,3
CF000119	CFFN-015-MFSR-06-G14-N350	0,6	CF000206	CFFN-015-MFSR-14-G14-N350	1,4
CF000120	CFFN-015-MFSR-07-G14-N350	0,7	CF000123	CFFN-015-MFSR-15-G14-N350	1,5
CF000121	CFFN-015-MFSR-08-G14-N350	0,8	CF000207	CFFN-015-MFSR-16-G14-N350	1,6
CF000203	CFFN-015-MFSR-09-G14-N350	0,9	CF000208	CFFN-015-MFSR-17-G14-N350	1,7
CF000088	CFFN-015-MFSR-10-G14-N350	1	CF000209	CFFN-015-MFSR-18-G14-N350	1,8
CF000204	CFFN-015-MFSR-11-G14-N350	1,1	CF000210	CFFN-015-MFSR-19-G14-N350	1,9
CF000122	CFFN-015-MFSR-12-G14-N350	1,2	CF000124	CFFN-015-MFSR-20-G14-N350	2,0