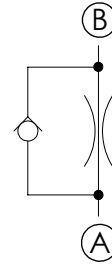
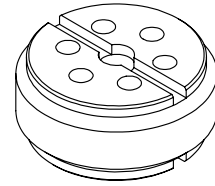
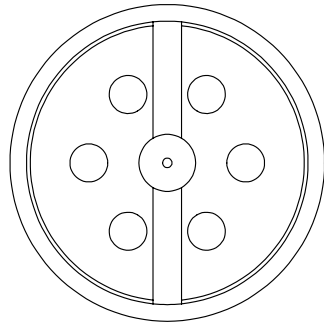
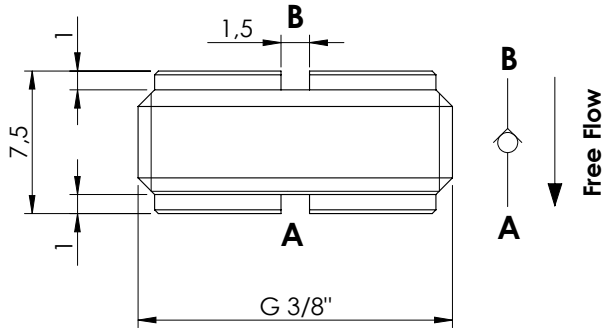


FLOW CONTROL VALVES

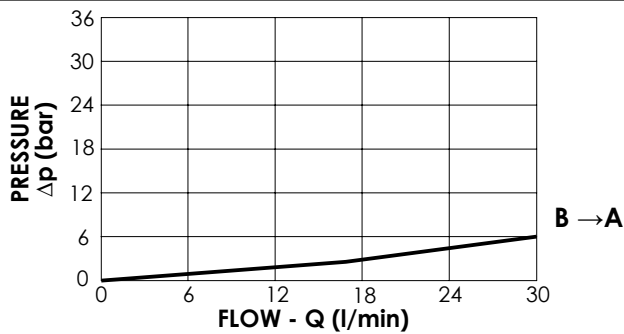
**CFFN-030-MFSR**

INSERT TYPE  
DOUBLE MOUNTING



**SPECIFICATIONS**

Max. operating pressure:	350 bar
Rated flow:	30 l/min
Cavity:	G 3/8
Weight:	0,01 kg
Installation torque:	10 Nm



**ORDERING CODES**

Quick code	Description	Ø Orifice	Quick code	Description	Ø Orifice
CF000068	CFFN-030-MFSR-05-G38-N350	0,5	CF000197	CFFN-030-MFSR-13-G38-N350	1,3
CF000069	CFFN-030-MFSR-06-G38-N350	0,6	CF000198	CFFN-030-MFSR-14-G38-N350	1,4
CF000070	CFFN-030-MFSR-07-G38-N350	0,7	CF000074	CFFN-030-MFSR-15-G38-N350	1,5
CF000071	CFFN-030-MFSR-08-G38-N350	0,8	CF000199	CFFN-030-MFSR-16-G38-N350	1,6
CF000195	CFFN-030-MFSR-09-G38-N350	0,9	CF000200	CFFN-030-MFSR-17-G38-N350	1,7
CF000072	CFFN-030-MFSR-10-G38-N350	1	CF000201	CFFN-030-MFSR-18-G38-N350	1,8
CF000196	CFFN-030-MFSR-11-G38-N350	1,1	CF000202	CFFN-030-MFSR-19-G38-N350	1,9
CF000073	CFFN-030-MFSR-12-G38-N350	1,2	CF000125	CFFN-030-MFSR-20-G38-N350	2,0