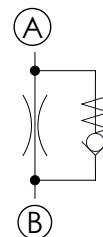
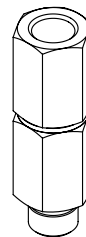
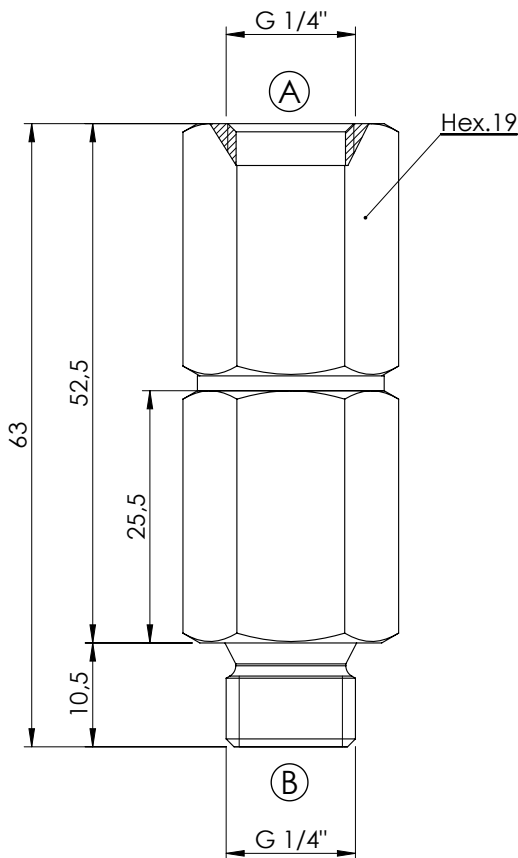


FLOW RESTRICTOR

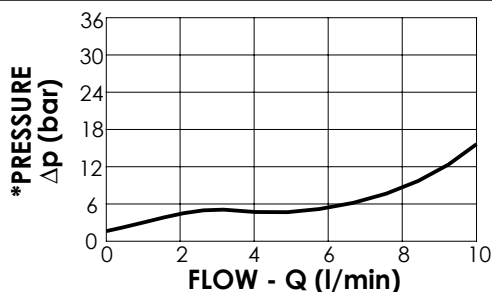
CDFN-010-PSNC

MONO DIRECTIONAL
NOT COMPENSATED



SPECIFICATIONS

Max. operating pressure:	350 bar
Rated flow (A to B):	10 l/min
Material:	Steel
Weight:	0,11 kg



ORDERING CODES

Quick code	Description	Cracking pressure (bar)	Ports	Ø Hole (mm)
CD000084	CDFN-010-PSNC-05-G14-N350	5	A,B: G 1/4"	Ø 0,5
CD000085	CDFN-010-PSNC-06-G14-N350	5	A,B: G 1/4"	Ø 0,6
CD000086	CDFN-010-PSNC-07-G14-N350	5	A,B: G 1/4"	Ø 0,7
CD000087	CDFN-010-PSNC-08-G14-N350	5	A,B: G 1/4"	Ø 0,8
CD000089	CDFN-010-PSNC-10-G14-N350	5	A,B: G 1/4"	Ø 1
CD000091	CDFN-010-PSNC-13-G14-N350	5	A,B: G 1/4"	Ø 1,3
CD000167	CDFN-010-PSNC-03-G14-N350	5	A,B: G 1/4"	Ø 0,5 & wire Ø 0,4
CD000168	CDFN-010-PSNC-04-G14-N350	5	A,B: G 1/4"	Ø 0,6 & wire Ø 0,4