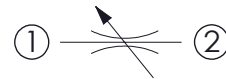
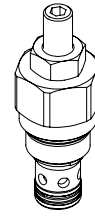
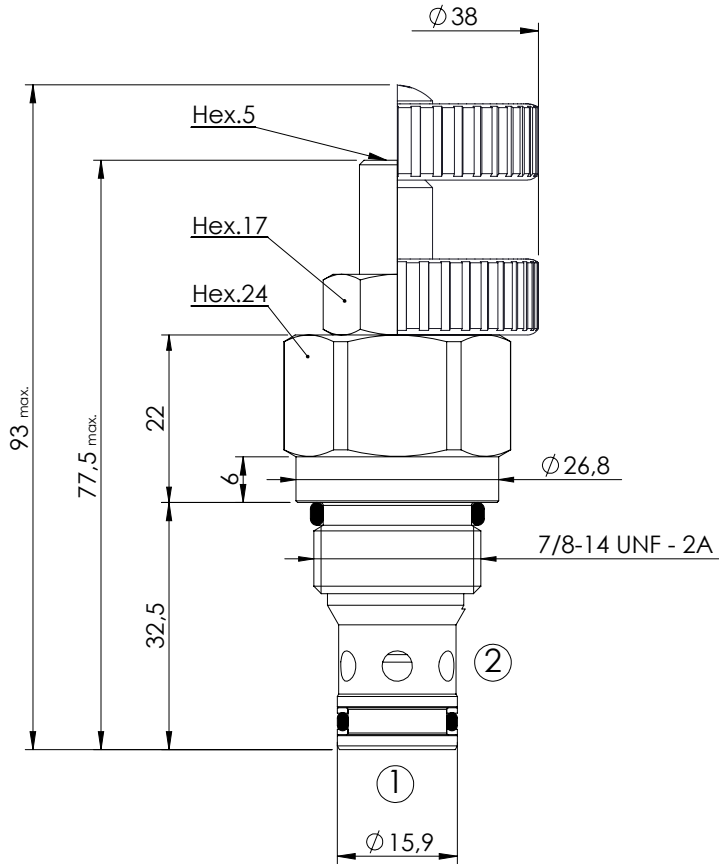


FLOW RESTRICTOR

CFSN-070-BHRR

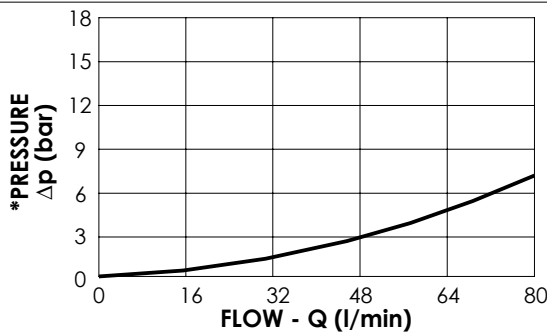


SPECIFICATIONS

Max. operating pressure:	350 bar
Rated flow:	70 l/min
Material:	Steel
Cavity:	SAE-10-2N
Weight:	0,17 kg
Seal kit:	RB700082

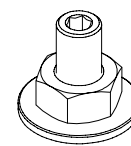
NOTES

Installation torque: 50-57 Nm

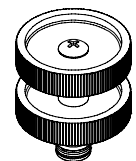


Fully open
Both directions

ADJUSTMENT OPTIONS



Adjustments with Screw



Adjustments with Handknob

ORDERING CODES

Quick code	Description	Options
CF000136	CFSN-070-BHRR-NP-S10-N350	Adjustments with Screw
CF000116	CFSN-070-BVRR-NP-S10-N350	Adjustments with Handknob