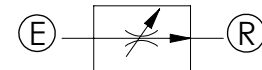
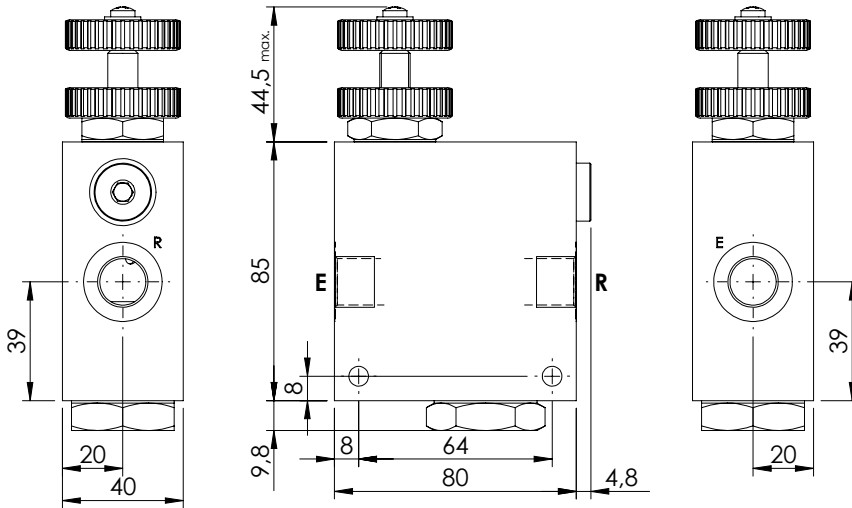
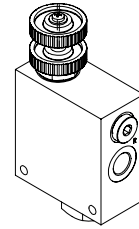


FLOW REGULATOR

MFST-030-RVTR

2 WAYS COMPENSATED

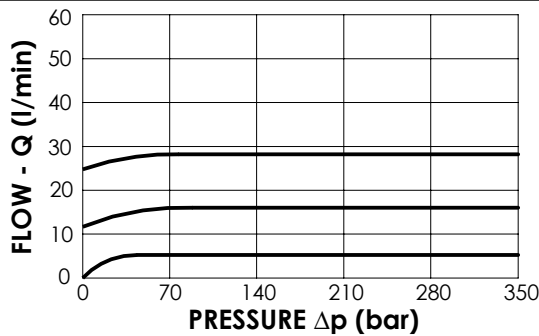


SPECIFICATIONS

Max. operating pressure:	See table
Rated flow:	30 l/min
Manifold:	Aluminium/Steel
Weight:	0,95/1,39 kg

ADJUSTMENT OPTIONS

Handknob and locknut	Screw and locknut	Graduated handknob



NOTES

Regulation: FINE

ORDERING CODES

Quick code	Description	Main ports size	Manifold	Max. Pressure (Bar)	Max. inlet flow (l/min)	Adjustment options
MF000241	MFST-030-RVTR-30-G38-N210	E,R: G 3/8"	Aluminium	210	30	Handknob and locknut
MF000242	MFST-030-RHTR-30-G38-N210	E,R: G 3/8"	Aluminium	210	30	Screw and locknut
MF000243	MFST-030-RMTR-30-G38-N210	E,R: G 3/8"	Aluminium	210	30	Graduated handknob
MF000244	MFST-030-RVSR-30-G38-N350	E,R: G 3/8"	Steel	350	30	Handknob and locknut
MF000245	MFST-030-RHSR-30-G38-N350	E,R: G 3/8"	Steel	350	30	Screw and locknut
MF000246	MFST-030-RMSR-30-G38-N350	E,R: G 3/8"	Steel	350	30	Graduated handknob