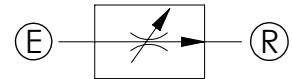
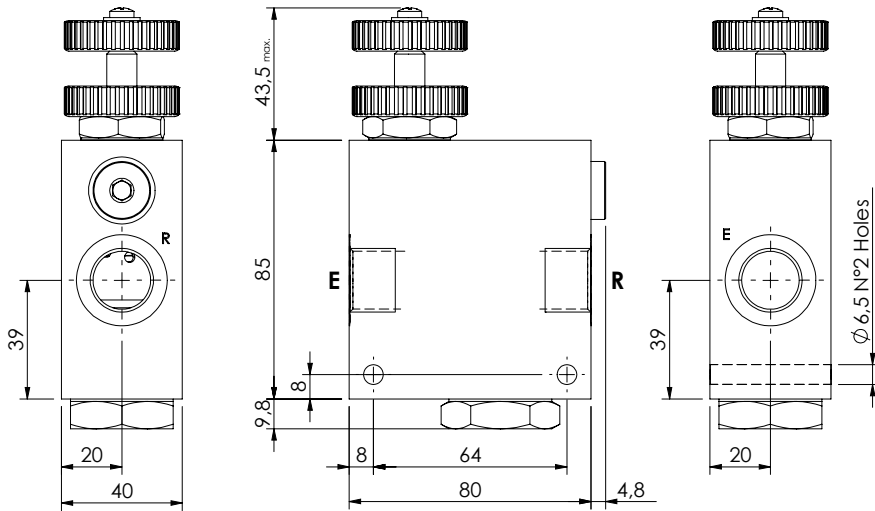
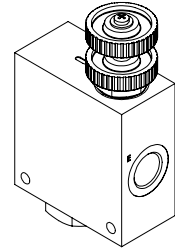


FLOW REGULATOR

MFST-055-TVTR

2 WAYS COMPENSATED



SPECIFICATIONS

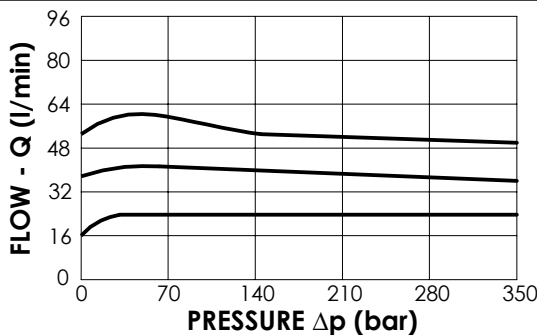
Max. operating pressure:	See table
Rated flow:	55 l/min
Manifold:	Aluminium/Steel
Weight:	0,94/2,01 kg

ADJUSTMENT OPTIONS



NOTES

Regulation: FINE



ORDERING CODES

Quick code	Description	Main ports size	Manifold	Max. Pressure (Bar)	Max. inlet flow (l/min)	Adjustment options
MF000052	MFST-055-RVTR-55-G12-N210	E,R: G 1/2"	Aluminium	210	55	Handknob and locknut
MF000238	MFST-055-RHTR-55-G12-N210	E,R: G 1/2"	Aluminium	210	55	Screw and locknut
MF000106	MFST-055-RMTR-55-G12-N210	E,R: G 1/2"	Aluminium	210	55	Graduated handknob
MF000148	MFST-055-RVSR-55-G12-N350	E,R: G 1/2"	Steel	350	55	Handknob and locknut
MF000239	MFST-055-RHSR-55-G12-N350	E,R: G 1/2"	Steel	350	55	Screw and locknut
MF000240	MFST-055-RMSR-55-G12-N350	E,R: G 1/2"	Steel	350	55	Graduated handknob