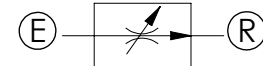
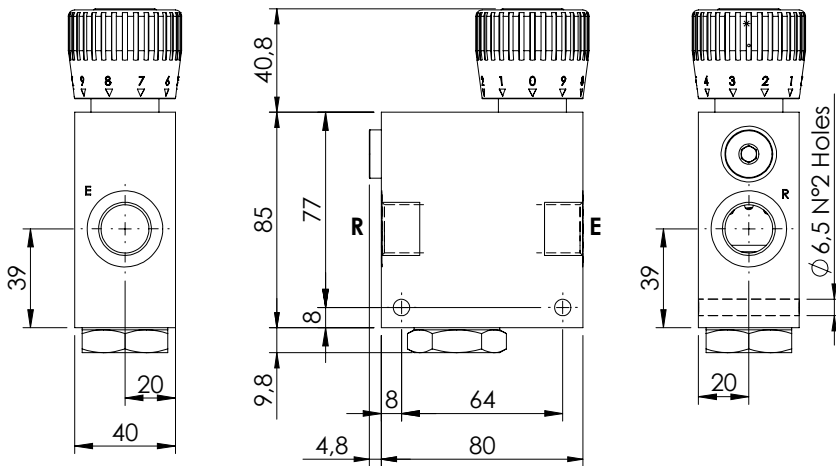
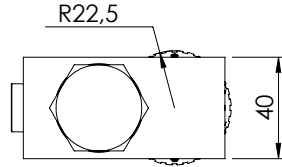
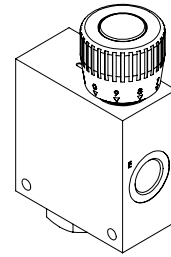


FLOW REGULATOR

MFST-090-RPZR

2 WAYS COMPENSATED

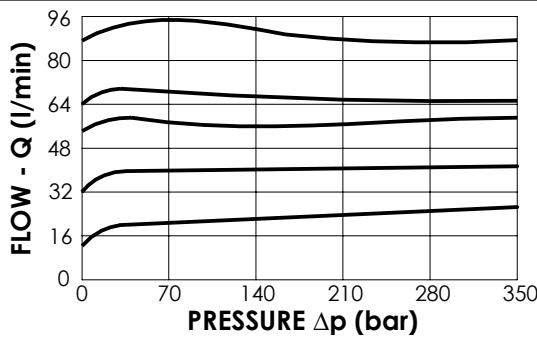
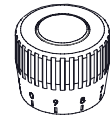


SPECIFICATIONS

Max. operating pressure:	210 bar
Rated flow:	90 l/min
Manifold:	Aluminium
Weight:	0,93 kg

ADJUSTMENT TYPE

Graduated handknob for flow regulation under pressure



ORDERING CODES

Quick code	Description	Main ports size	Regulated flow range (l/min)	Adjustment type
MF000186	MFST-090-RPZR-06-G12-N210	G 1/2"	0 - 6	Graduated handknob
MF000187	MFST-090-RPZR-12-G12-N210	G 1/2"	0 - 12	Graduated handknob
MF000188	MFST-090-RPZR-25-G12-N210	G 1/2"	0 - 25	Graduated handknob
MF000189	MFST-090-RPZR-32-G12-N210	G 1/2"	0 - 32	Graduated handknob
MF000190	MFST-090-RPZR-50-G12-N210	G 1/2"	0 - 50	Graduated handknob
MF000191	MFST-090-RPZR-63-G12-N210	G 1/2"	0 - 63	Graduated handknob