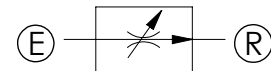
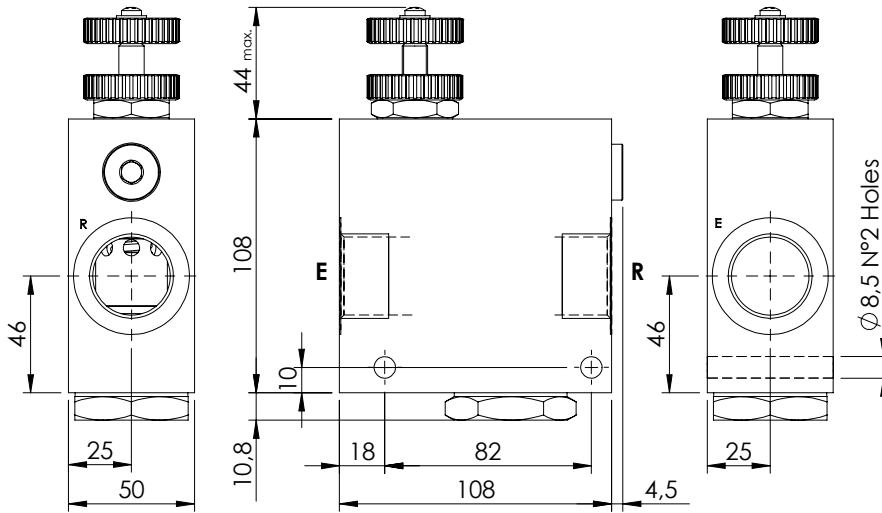
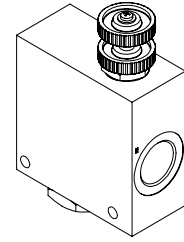


FLOW REGULATOR

MFST-190-RVTR

2 WAYS COMPENSATED



SPECIFICATIONS

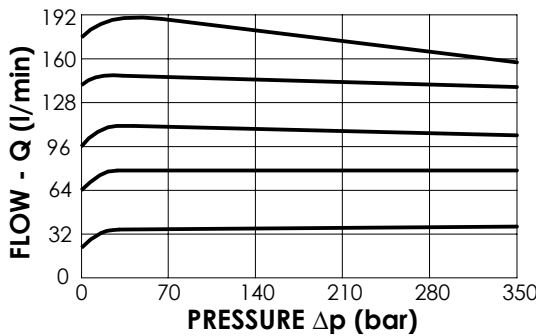
Max. operating pressure:	210/350 bar
Rated flow:	190 l/min
Manifold:	Aluminium/Steel
Weight:	1,8/4,0 kg

ADJUSTMENT OPTIONS



NOTES

Regulation: STANDARD



ORDERING CODES

Quick code	Description	Main ports size	Manifold	Max. Pressure (Bar)	Max. inlet flow (l/min)	Adjustment options
MF000253	MFST-190-RVTR-19-G10-N210	E,R: G 1"	Aluminium	210	190	Handknob and locknut
MF000254	MFST-190-RHTR-19-G10-N210	E,R: G 1"	Aluminium	210	190	Screw and locknut
MF000255	MFST-190-RMTR-19-G10-N210	E,R: G 1"	Aluminium	210	190	Graduated handknob
MF000256	MFST-190-RVSR-19-G10-N350	E,R: G 1"	Steel	350	190	Handknob and locknut
MF000257	MFST-190-RHSR-19-G10-N350	E,R: G 1"	Steel	350	190	Screw and locknut
MF000258	MFST-190-RMSR-19-G10-N350	E,R: G 1"	Steel	350	190	Graduated handknob