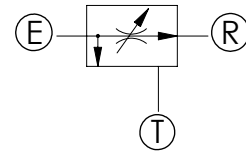
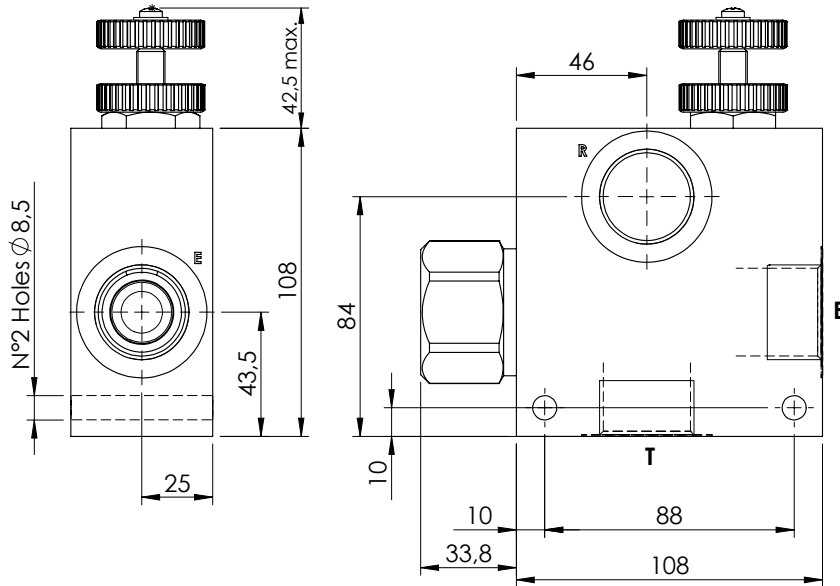
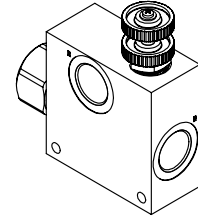
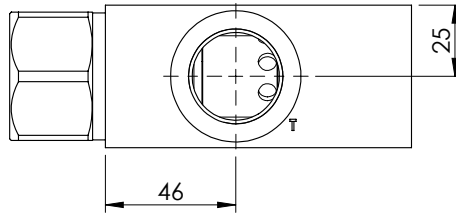


FLOW REGULATOR

MFCT-280-RVTR

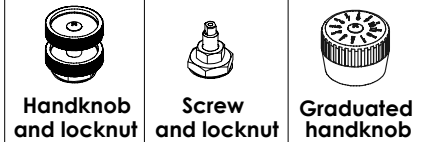
3 WAYS COMPENSATED



SPECIFICATIONS

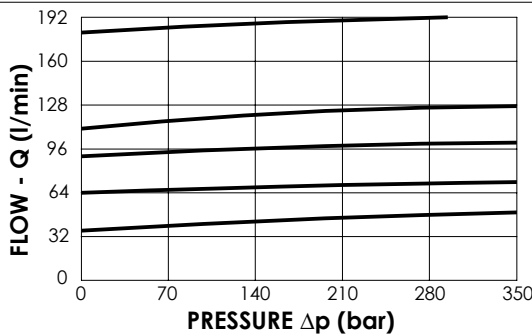
Max. operating pressure:	see table
Rated flow:	280 l/min
Manifold:	Aluminium/Steel
Weight:	1,97/4,08 kg

ADJUSTMENT OPTIONS



NOTES

Regulating: STANDARD



ORDERING CODES

Quick code	Description	Main ports size	Manifold	Max. Pressure (Bar)	Max. reg.flow (l/min)	Max. inlet flow (l/min)	Adjustment options
MF000035	MFCT-280-RVTR-19-G10-N210	G 1"	Aluminium	210	190	280	Handknob and locknut
MF000036	MFCT-280-RHTR-19-G10-N210	G 1"	Aluminium	210	190	280	Screw and locknut
MF000037	MFCT-280-RMTR-19-G10-N210	G 1"	Aluminium	210	190	280	Graduated handknob
MF000026	MFCT-280-RVSR-19-G10-N350	G 1"	Steel	350	190	280	Handknob and locknut
MF000027	MFCT-280-RHSR-19-G10-N350	G 1"	Steel	350	190	280	Screw and locknut
MF000028	MFCT-280-RMSR-19-G10-N350	G 1"	Steel	350	190	280	Graduated handknob