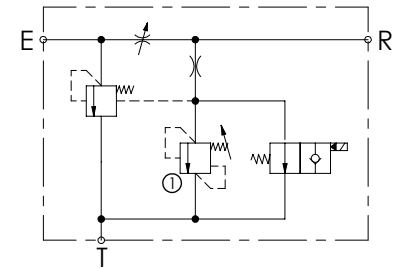
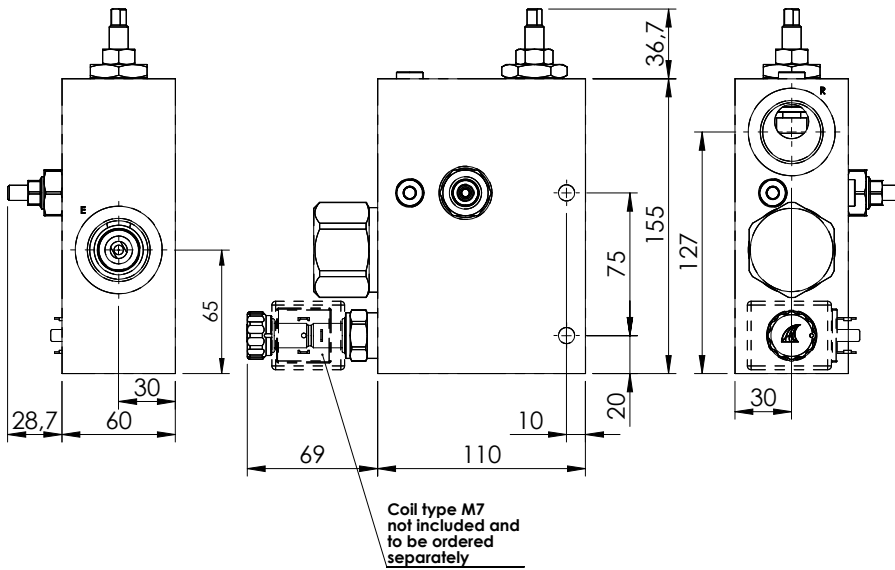
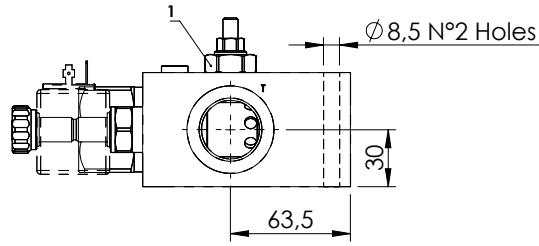
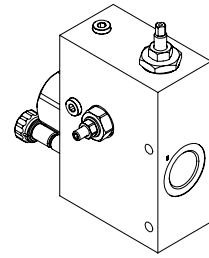


FLOW REGULATOR

MFCT-280-MVTR

**3 WAYS COMPENSATED
WITH RELIEF VALVE AND
ELECTRIC UNLOADING**



SPECIFICATIONS

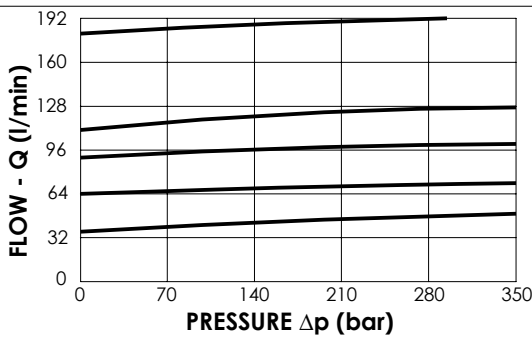
Max. operating pressure:	250 bar
Rated flow:	280 l/min
Regulated flow:	190 l/min
Manifold:	Aluminium
Weight:	3,24 kg
Coil:	M7

ADJUSTMENT OPTIONS



NOTES

-For options see pag. 22.00.000.



ORDERING CODES

Quick code	Description	Main ports size	Standard setting (bar, Q=l/min)	Adjustment range (bar)	Pressure increase (bar)
MF000143	MFCT-280-MVTR-19-G10-N250	R,E,T: G 1"	240	140-350	142