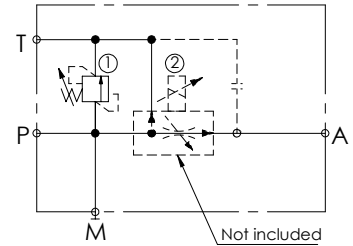
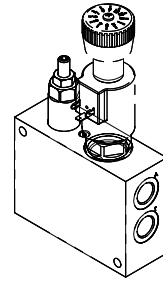
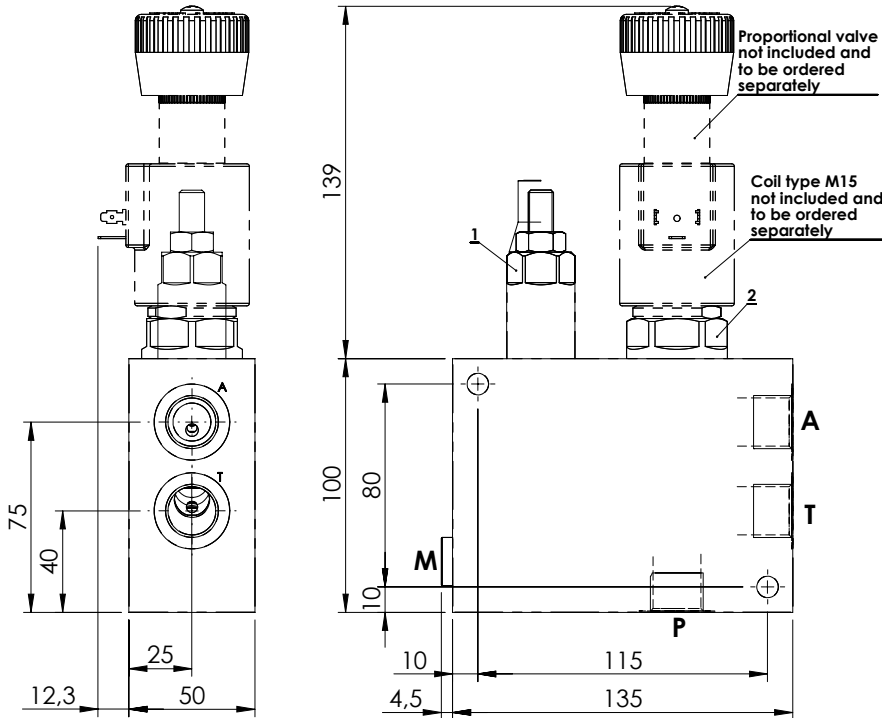
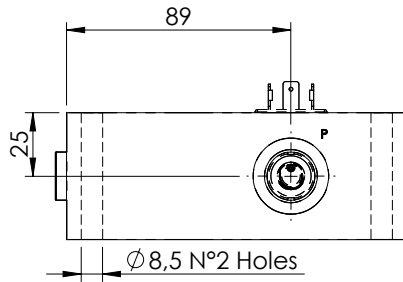


FLOW REGULATOR

MFPC-140-LMLR

PROPORTIONAL VALVE WITH RELIEF

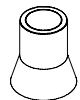


SPECIFICATIONS

Max. operating pressure:	320 bar
Rated flow:	140 l/min
Max regulated flow:	0 - 80 l/min
Manifold:	Aluminium
Weight:	1,7 kg
Coil type:	M15
Cavity type:	SAE-16-3N

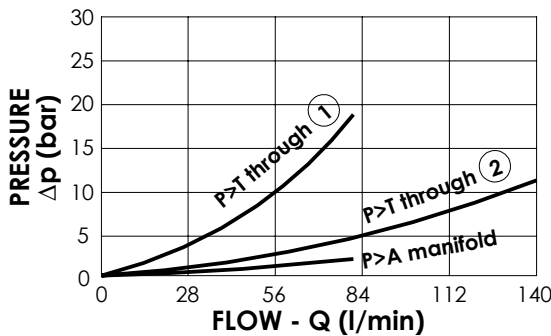
SEALING CAP

Ordering code:
AT000021



NOTES

- See chapter 18.00.000 for coil.
- See chapter 16.00.000 for proportional valve info.



ORDERING CODES

Quick code	Description	Main ports size	Standard setting (bar, Q=5 l/min)	Adjust. range (bar)	Pressure increase (bar/turn)
MF000350	MFPC-140-LMLR-80-G12-N320	P,A,T: G1/2" M: G1/4"	200	60-210	24