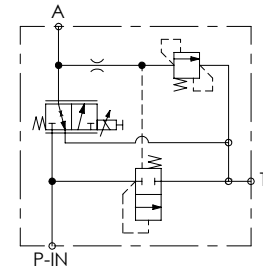
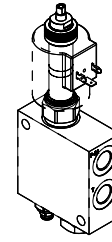
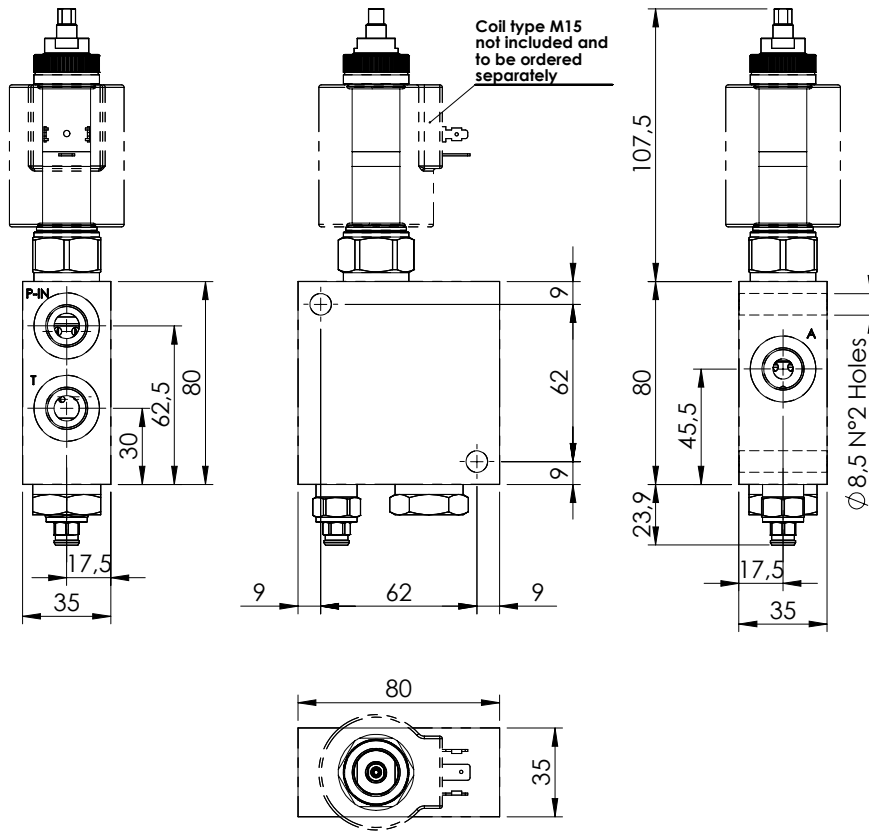


FLOW REGULATOR

MFCZ-040-LSLR

**PROPORTIONAL VALVE
COMPENSATED**

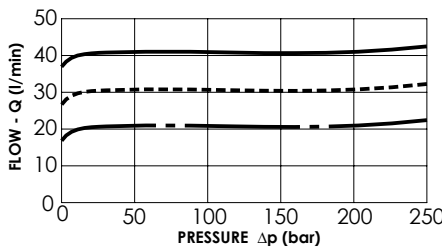


SPECIFICATIONS

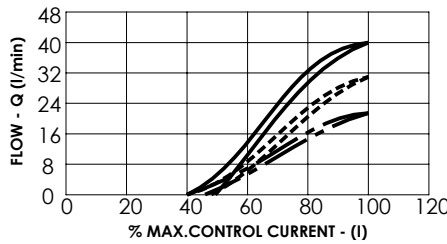
Max. operating pressure:	210 bar
Rated flow:	40 l/min
Recommended PWM range:	150-180 Hz
Weight:	0,84 kg
Manifold:	Aluminium
Coil type:	M15
Max. int. leakage:	150 cm ³ /min (@46 cst)

NOTES

- Bleed air before use
- Manual override screw type
- See chapter 18.00.000 for coil.



MF000294 3>2 ———



MF000296 3>2 — — — —

MF000295 3>2 - - - - -

ORDERING CODES

Quick code	Description	Rated flow (l/min)	Ports	Threshold current (with 12VDC coil)	Max control current (with 12V DC coil)
MF000294	MFCZ-040-LSLR-40-G38-N210	40	G 3/8"	800 mA (+/-7%)	1600 mA (+/-7%)
MF000295	MFCZ-030-LSLR-30-G38-N210	30	G 3/8"	700 mA (+/-7%)	1500 mA (+/-7%)
MF000296	MFCZ-020-LSLR-20-G38-N210	20	G 3/8"	700 mA (+/-7%)	2400 mA (+/-7%)