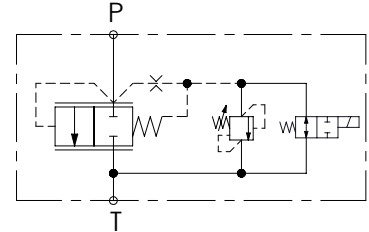
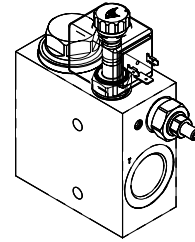
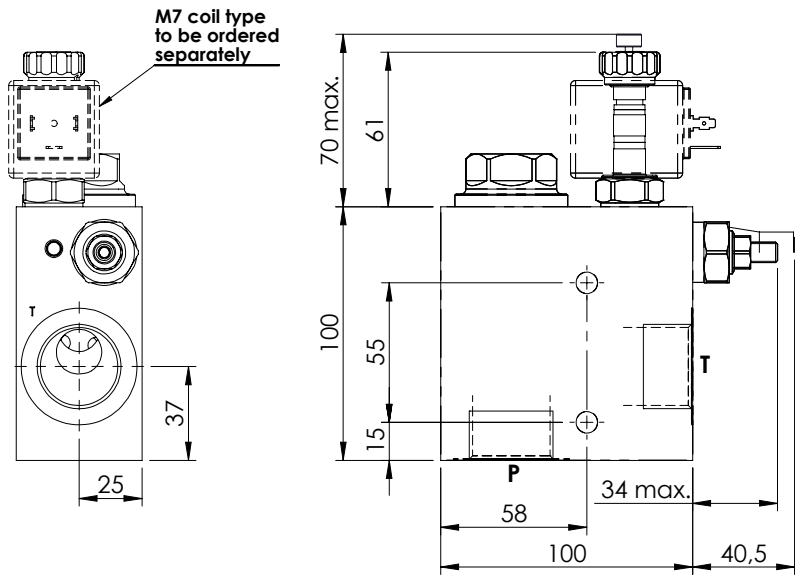
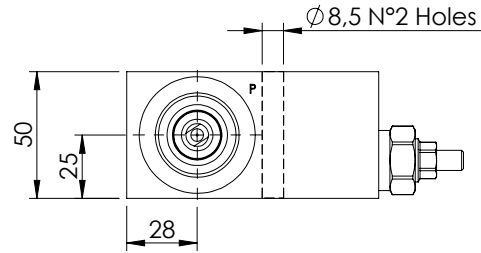


UNLOADING VALVE

MFTS-200-DHAN

**SOLENOID OPERATED
UNLOADING VALVE
WITH RELIEF**

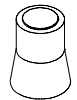


SPECIFICATIONS

Max. operating pressure:	250 bar
Rated flow:	200 l/min
Manifold:	Aluminium
Weight:	1,63 kg
Coil type:	M7

SEALING CAP

Ordering code:
AT000020



NOTES

Internal leakage: 80 cc/min
Available in steel version for 350 bar maximum operating pressure
See chapter 18.00.000 for coil.

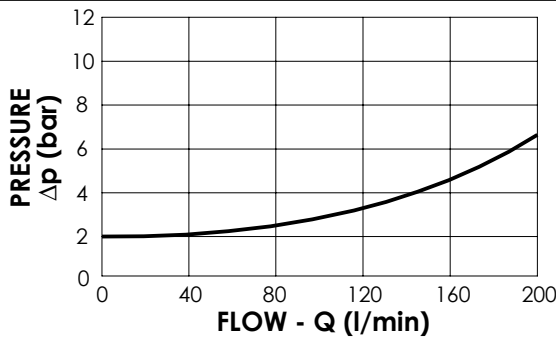
OPTIONS



Standard



Push style override



ORDERING CODES

Quick code	Description	Main ports size	Standard setting (bar, Q=5 l/min)	Adjust. range (bar)	Pressure increase (bar/turn)	Options
MF000039	MFTS-200-DHAN-NP-G10-N250	G 1"	200	100-350	142	Standard
MF000043	MFTS-200-DHAE-NP-G10-N250	G 1"	200	100-350	142	Push style override