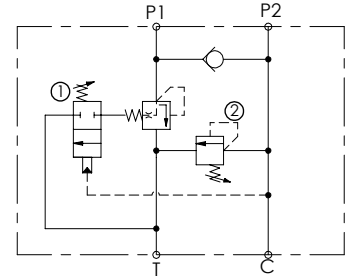
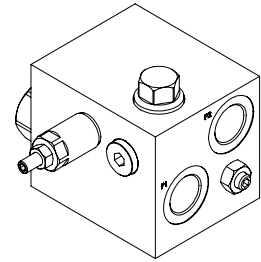
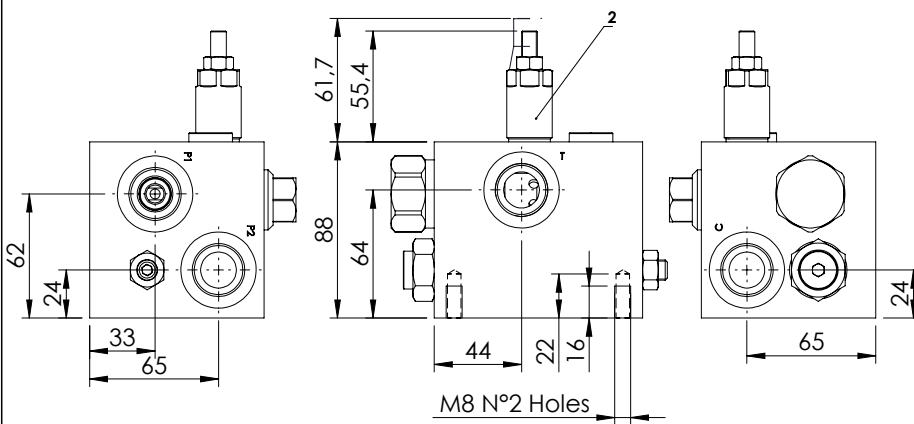
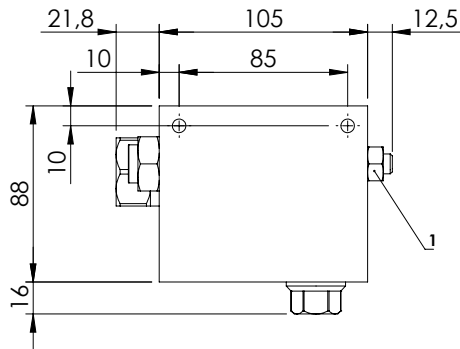


UNLOADING VALVE

MTSD-150-TLSN

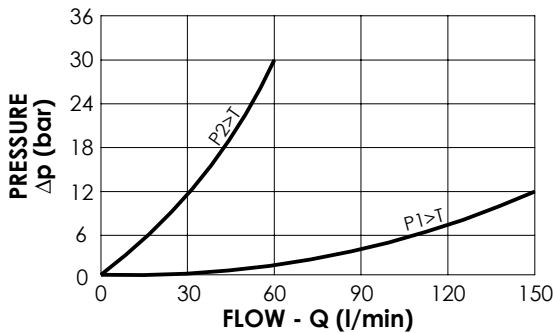
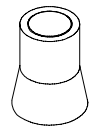


SPECIFICATIONS

Max. operating pressure:	300 bar
Rated flow:	150 l/min
Manifold:	See table
Weight:	Aluminium 2,54 kg; Steel 5,9 kg

SEALING CAP

Ordering code:
AT000020



NOTES

ORDERING CODES

Quick code	Description	Manifold material	Main ports size	Standard setting (bar, Q=5 l/min)	Adjust. range (bar)	Pressure increase (bar/turn)
MT000012	MTSD-150-TLSN-00-G34-N300	Aluminium	P1,P2,C,T: G3/4"	① 50 ② 300	① 15-100 ② 100-350	① 23 ② 91
MT000016	MTSD-150-SLSN-00-G34-N300	Steel	P1,P2,C,T: G3/4"	① 50 ② 300	① 15-100 ② 100-350	① 23 ② 91