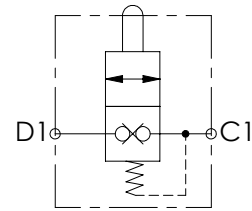
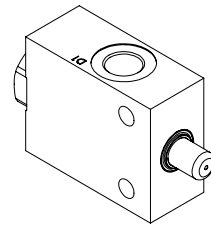
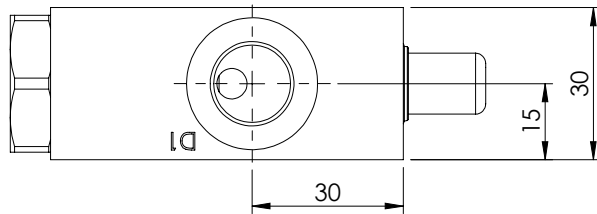
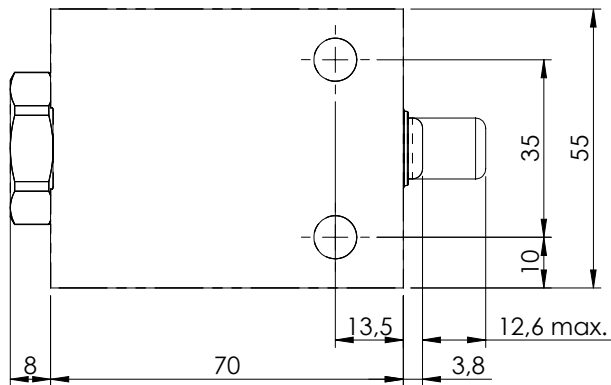
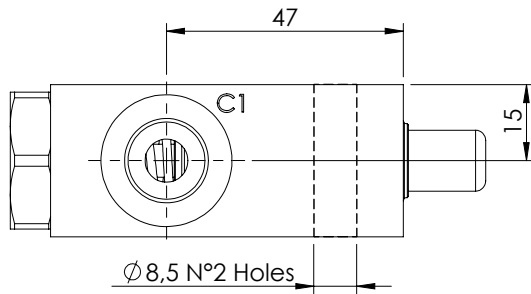


END OF STROKE VALVE

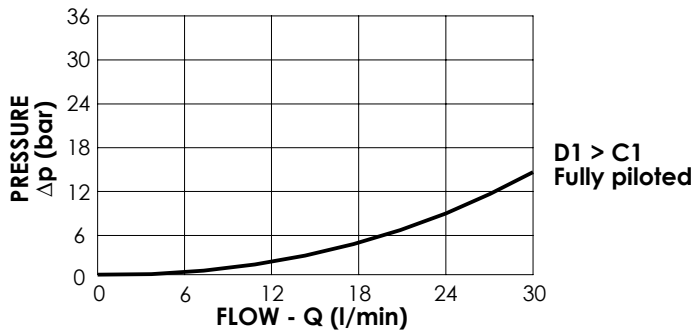
**MDTC-030-ABNR**

NORMALLY CLOSED



**SPECIFICATIONS**

Max. operating pressure:	350 bar
Rated flow:	30 l/min
Manifold:	Steel
Weight:	0,78 kg
Maximum stroke:	12,6 mm



**ORDERING CODES**

Quick code	Description	Main ports size	Cracking pressure (Kg)	Fully open (Kg)
MD000064	MDTC-030-ABNR-NP-G38-N350	G 3/8"	9	19,7