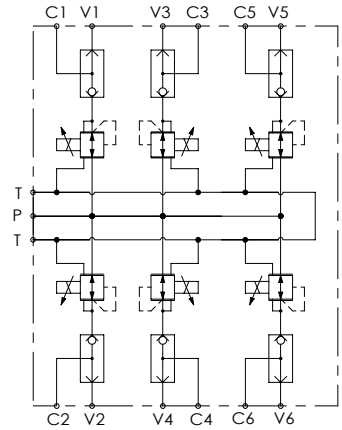
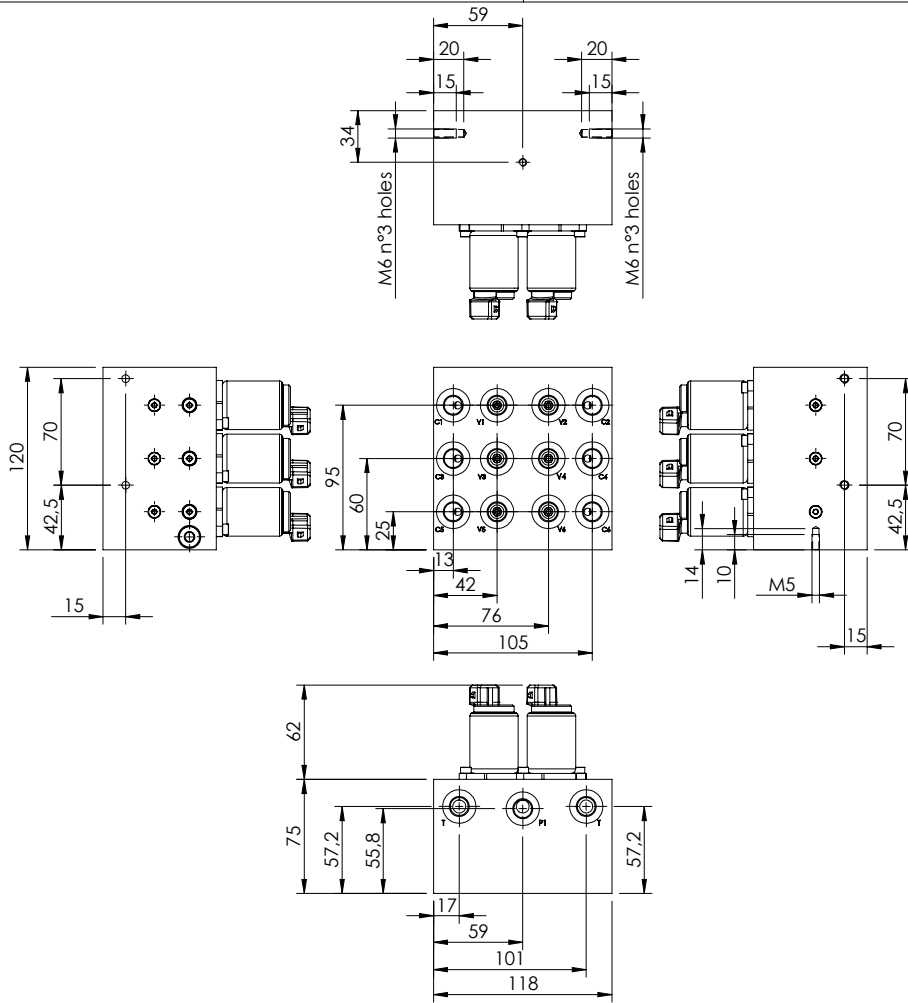
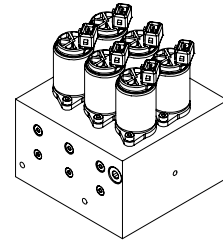


PILOT BLOCK

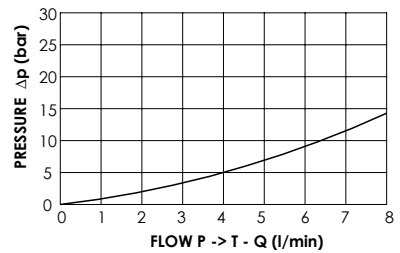
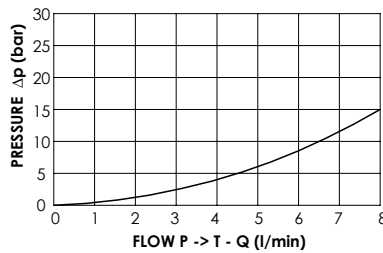
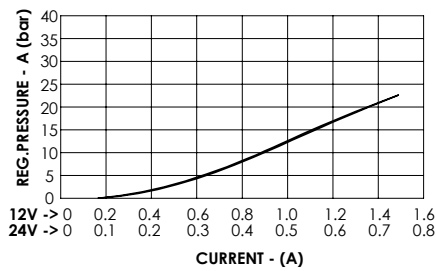
BNND-003-LNQ

**PROPORTIONAL
PRESSURE REDUCING
PILOT MANIFOLD**



SPECIFICATIONS

Max. operating pressure:	50 bar
Rated flow:	3 l/min
Manifold:	Aluminium
Weight:	2,6 kg



ORDERING CODES

Quick code	Description	Main ports size	Regulated pressure range (bar)	Voltage (V)	Connector type
BD000084	BNND-003-LNQ-06-G14-NBAJ	G 1/4"	0-20	24 DC	AMP JUNIOR
BD000202	BNND-003-LNQ-06-G14-NAAJ	G 1/4"	0-20	12 DC	AMP JUNIOR