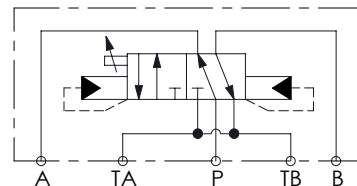
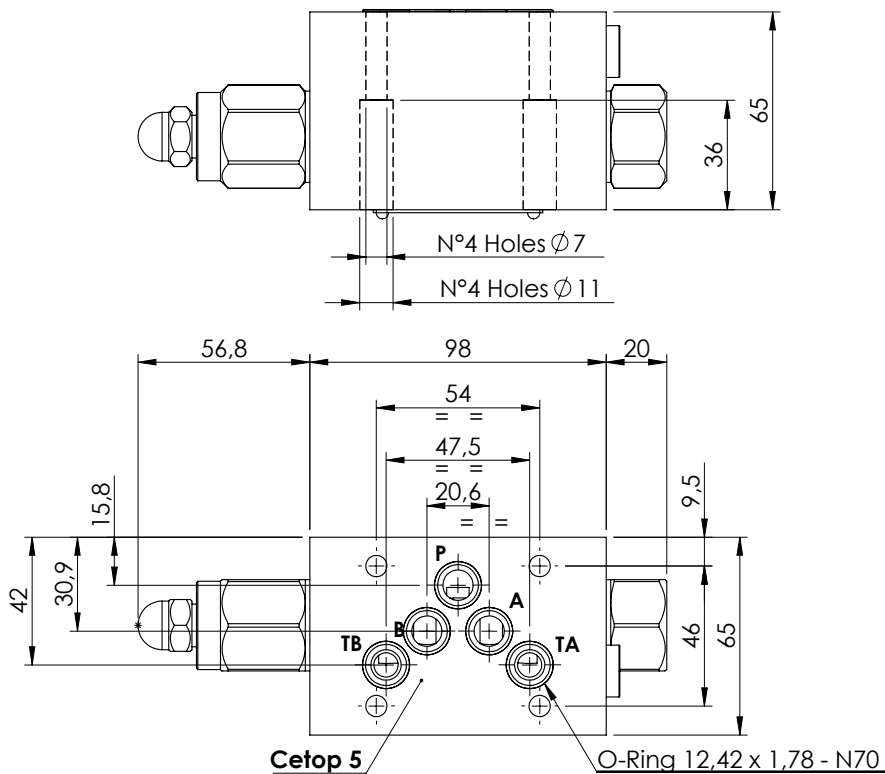
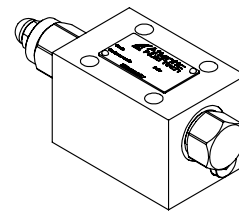


AUTOMATIC DIRECTIONAL VALVE

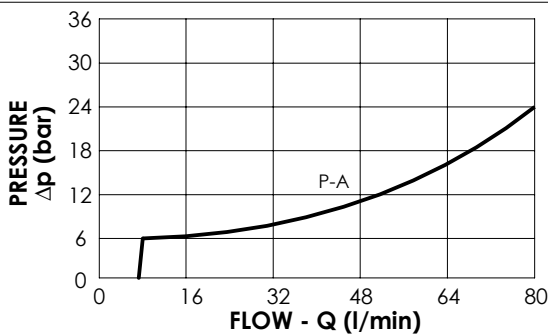
MDAF-080-ANNR

FLOW SWITCHING



SPECIFICATIONS

| | |
|--------------------------|-----------|
| Max. operating pressure: | 350 bar |
| Rated flow: | 80 l/min |
| Manifold: | Cast iron |
| Weight: | 3,12 kg |



NOTES

- Minimum required flow: 6 l/min
- Flexible pipe should be placed between valve and cylinder rod side
- No suitable motor

ORDERING CODES

| Quick code | Description | Main ports size |
|------------|---------------------------|-----------------------|
| MD000034 | MDAF-080-ANNR-NP-N10-N350 | A,P,B,TA,TB : CETOP 5 |
| | | |
| | | |
| | | |
| | | |
| | | |