

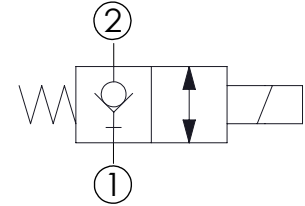
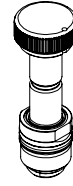
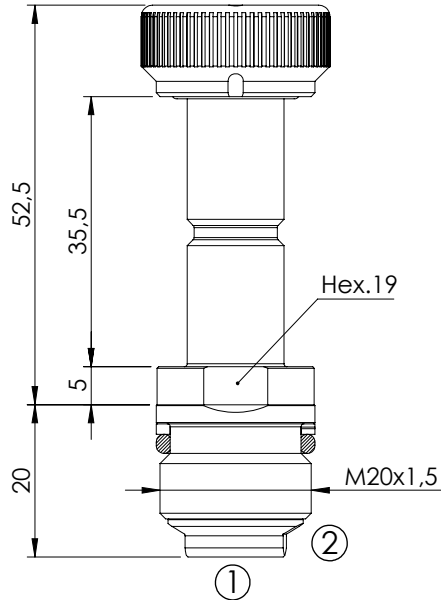
SOLENOID OPERATED CARTRIDGE

**CEBN-001-NCFN**

DIRECT OPERATED  
POPPET TYPE

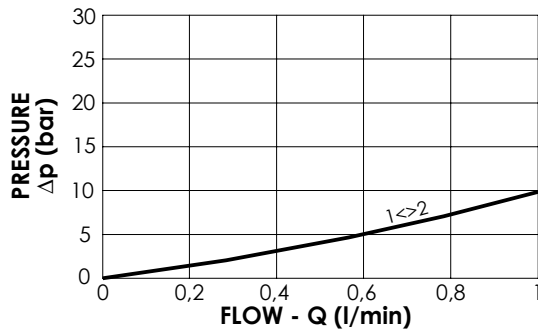


**NEW**



**SPECIFICATIONS**

Max. operating pressure:	350 bar
Rated flow:	1 l/min
Cavity:	VP000445
Weight:	0,1 kg
Min. voltage required:	90% of nominal
Coil type:	M7 type
Seal kit:	RC700445



**NOTES**

Installation torque: 40 - 45 Nm

**ORDERING CODES**

Quick code	Description	Max operating pressure (bar)	
CE000870	CEBN-001-NCFN-15-445-N350	350	