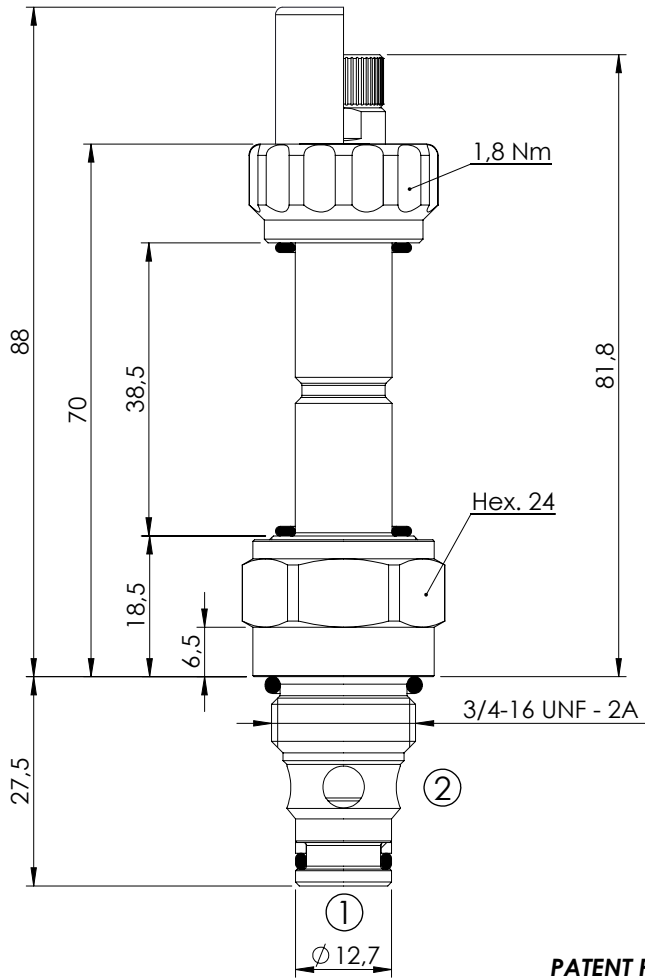


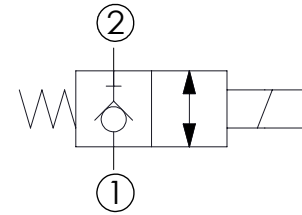
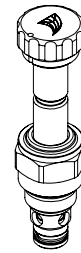
SOLENOID OPERATED CARTRIDGE

CEBD-001-NCFN

**DIRECT OPERATED
POPPET TYPE**



PATENT PENDING

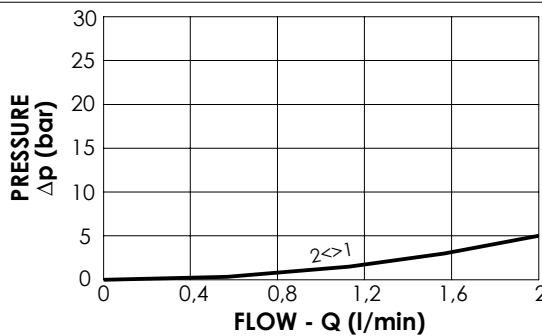


SPECIFICATIONS

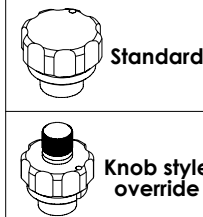
Max. operating pressure:	350/500 bar
Rated flow:	1,5 l/min
Cavity:	SAE-08-2N
Weight:	0,14 kg
Min. voltage required:	90% of nominal
Coil type:	M7 type
Seal kit:	RA900081

NOTES

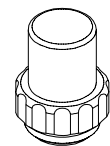
Installation torque: **45 - 50 Nm**



OPTIONS



SEALING CAP



Ordering code:
AT000113

ORDERING CODES

Quick code	Description	Options	Max operating pressure (bar)
CE000202	CEBD-001-NCFN-16-S08-N350	Standard	350
CE000203	CEBD-001-NCFK-16-S08-N350	Knob style override	350
CE000502	CEBD-001-NCFN-16-S08-N500	Standard	500
CE000503	CEBD-001-NCFK-16-S08-N500	Knob style override	500