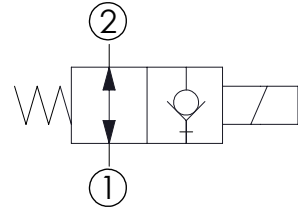
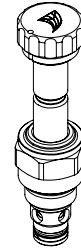
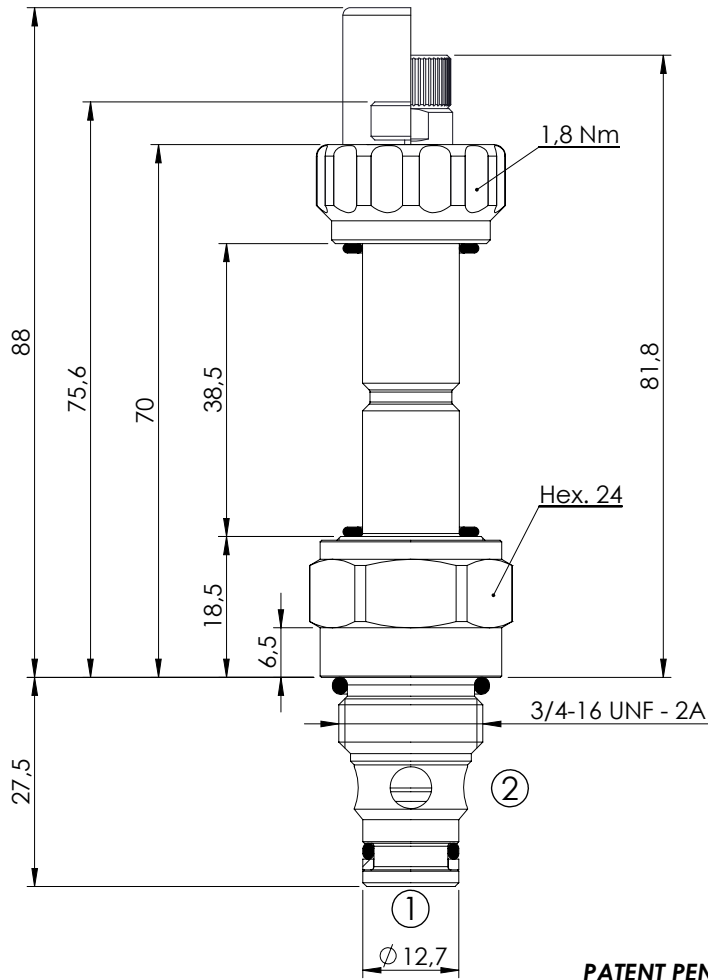


**SOLENOID OPERATED CARTRIDGE**

**CEBD-001-NAFN**

**DIRECT OPERATED  
POPPET TYPE**

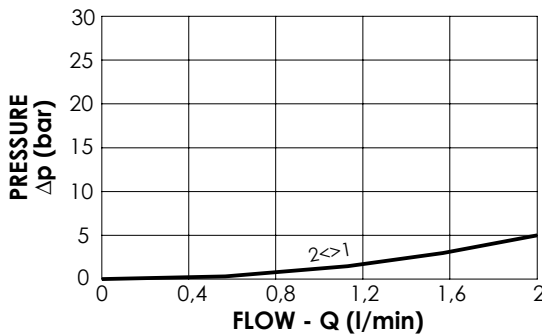


**SPECIFICATIONS**

Max. operating pressure:	350/500 bar
Rated flow:	1,5 l/min
Cavity:	SAE-08-2N
Weight:	0,14 kg
Min. voltage required:	90% of nominal
Coil type:	M7 type
Seal kit:	RA900081

**NOTES**

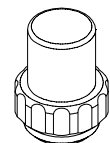
Installation torque: 45 - 50 Nm



**OPTIONS**

- Standard
- Push style override
- Knob style override

**SEALING CAP**



Ordering code:  
AT000113

**ORDERING CODES**

Quick code	Description	Options	Max operating pressure (bar)	
CE000204	CEBD-001-NAFN-13-S08-N350	Standard	350	
CE000205	CEBD-001-NAFP-13-S08-N350	Push style override	350	
CE000206	CEBD-001-NAFK-13-S08-N350	Knob style override	350	
CE000504	CEBD-001-NAFN-13-S08-N500	Standard	500	
CE000505	CEBD-001-NAFP-13-S08-N500	Push style override	500	
CE000506	CEBD-001-NAFK-13-S08-N500	Knob style override	500	