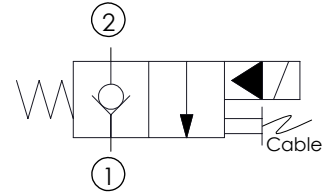
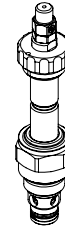
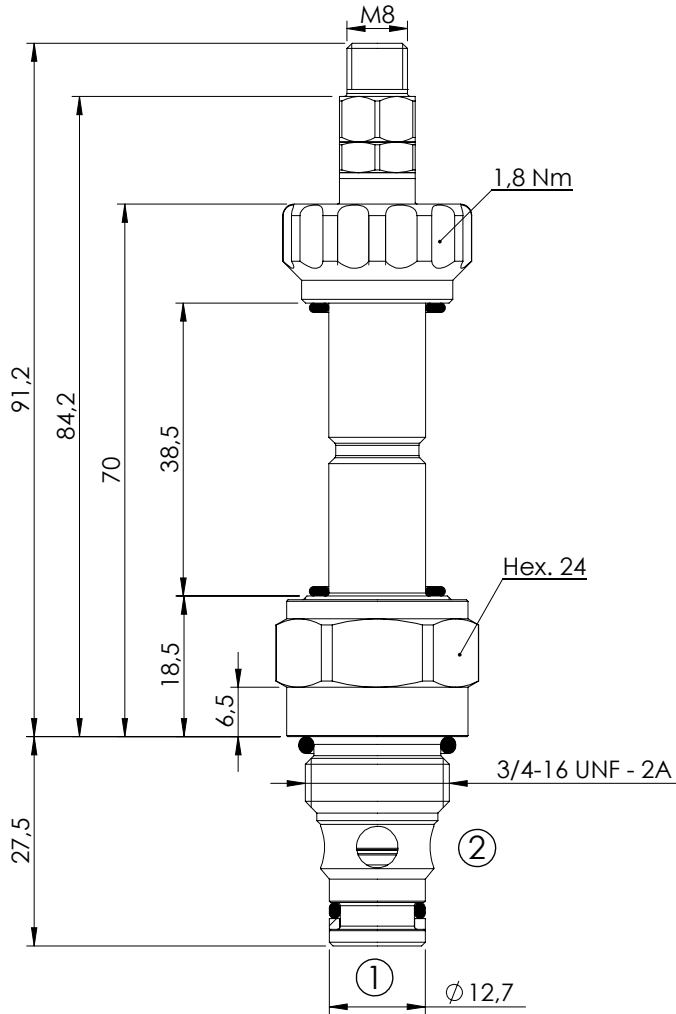


SOLENOID OPERATED CARTRIDGE

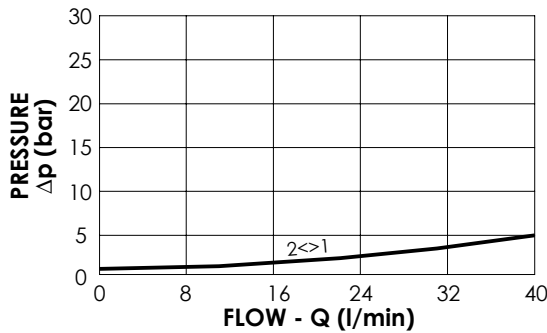
CEBN-040-NCFF

**PILOT OPERATED
POPPET TYPE**



SPECIFICATIONS

Max. operating pressure:	350 bar
Rated flow:	40 l/min
Cavity:	SAE-08-2N
Weight:	0,16 kg
Min. voltage required:	90% of nominal
Coil type:	M7 type
Seal kit:	RA900081



NOTES

Installation torque: 45 - 50 Nm

ORDERING CODES

Quick code	Description	Options		
CE000470	CEBN-040-NCFF-01-S08-N350	Cable override		