

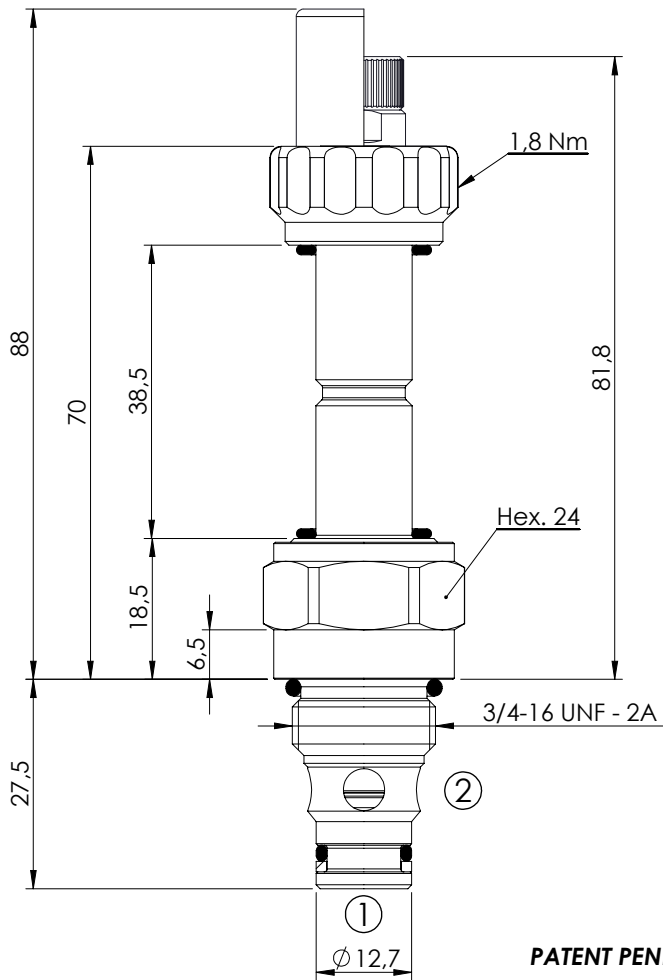
SOLENOID OPERATED CARTRIDGE

**CEBN-030-NCFN**

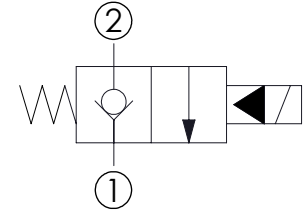
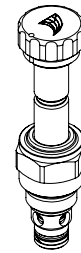
PILOT OPERATED  
POPPET TYPE



**NEW**



PATENT PENDING



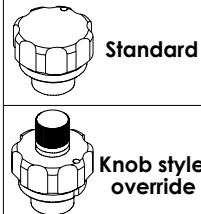
**SPECIFICATIONS**

Max. operating pressure:	350 bar
Rated flow:	30 l/min
Cavity:	SAE-08-2N
Weight:	0,14 kg
Min. voltage required:	90% of nominal
Coil type:	M7 type
Seal kit:	RA900081

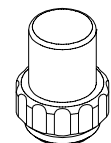
**NOTES**

Installation torque: 45 - 50 Nm

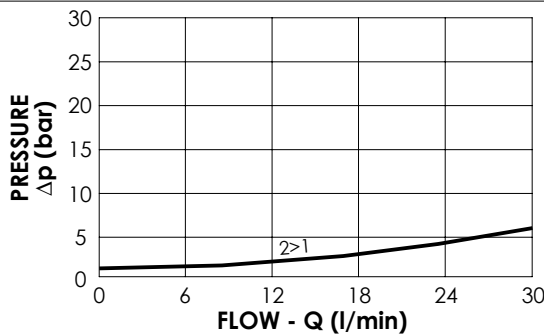
**OPTIONS**



**SEALING CAP**



Ordering code:  
AT000113



**ORDERING CODES**

Quick code	Description	Options	Max operating pressure (bar)
CE000455	CEBN-030-NCFN-01-S08-N350	Standard	350
CE000456	CEBN-030-NCFK-01-S08-N350	Knob style override	350