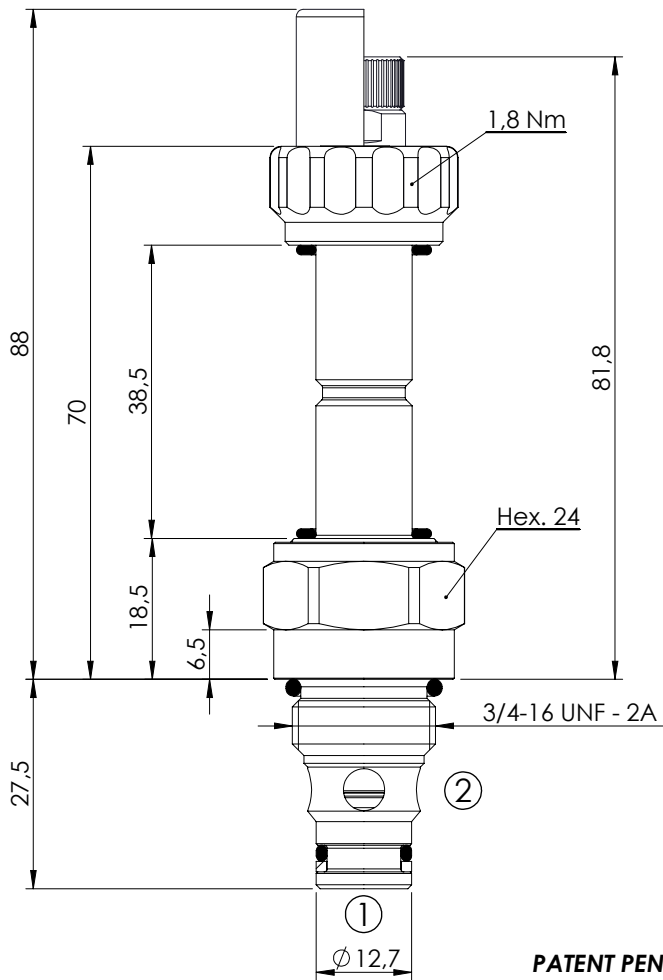


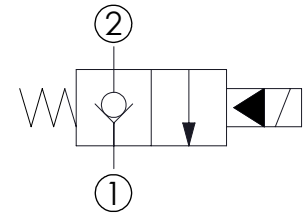
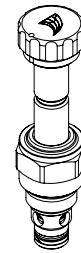
SOLENOID OPERATED CARTRIDGE

CEBN-040-NCFN

**PILOT OPERATED
POPPET TYPE**



PATENT PENDING



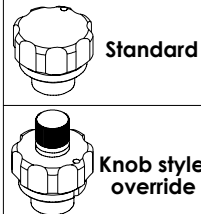
SPECIFICATIONS

Max. operating pressure:	350/500 bar
Rated flow:	40 l/min
Cavity:	SAE-08-2N
Weight:	0,14 kg
Min. voltage required:	90% of nominal
Coil type:	M7 type
Seal kit:	RA900081

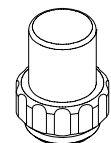
NOTES

Installation torque: 45 - 50 Nm

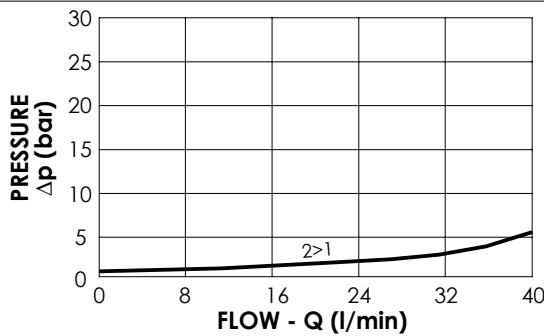
OPTIONS



SEALING CAP



Ordering code:
AT000113



ORDERING CODES

Quick code	Description	Options	Max operating pressure (bar)
CE000210	CEBN-040-NCFN-01-S08-N350	Standard	350
CE000212	CEBN-040-NCFK-01-S08-N350	Knob style override	350
CE000510	CEBN-040-NCFN-01-S08-N500	Standard	500
CE000512	CEBN-040-NCFK-01-S08-N500	Knob style override	500