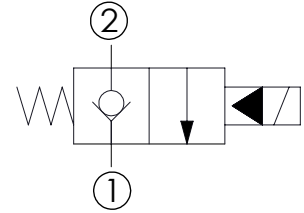
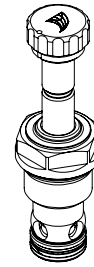
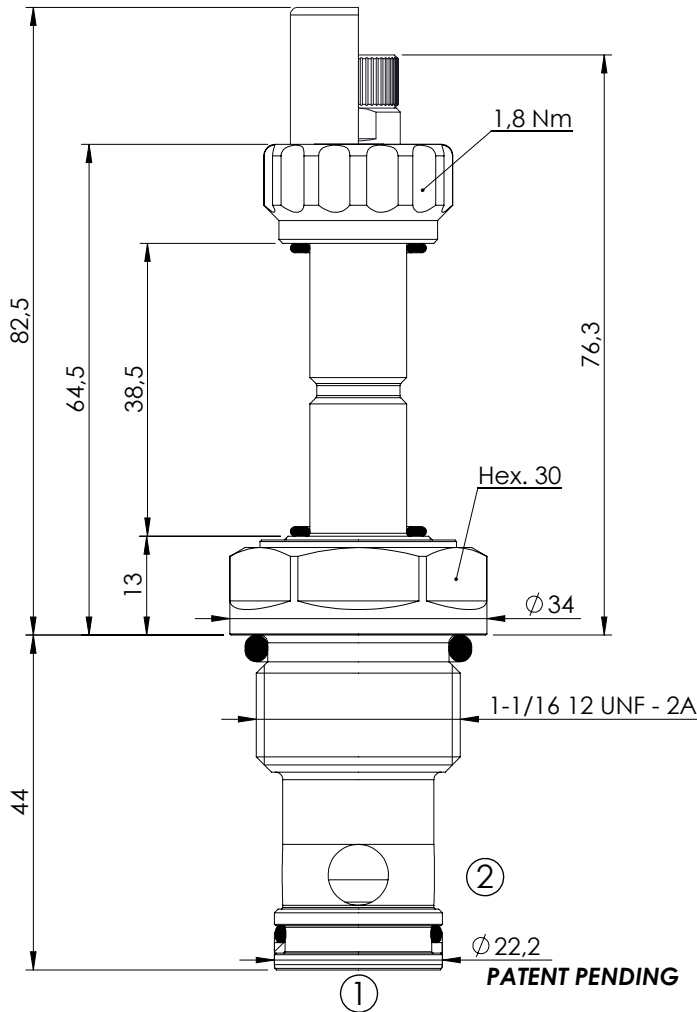


SOLENOID OPERATED CARTRIDGE

**CEBN-180-NCFN**

PILOT OPERATED  
POPPET TYPE



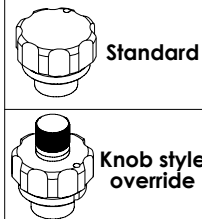
**SPECIFICATIONS**

Max. operating pressure:	350/500 bar
Rated flow:	180 l/min
Cavity:	SAE-12-2N
Weight:	0,25 kg
Min. voltage required:	90% of nominal
Coil type:	M7 type
Seal kit:	RA900083

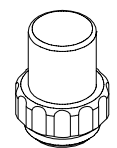
**NOTES**

Installation torque: 135 - 150 Nm

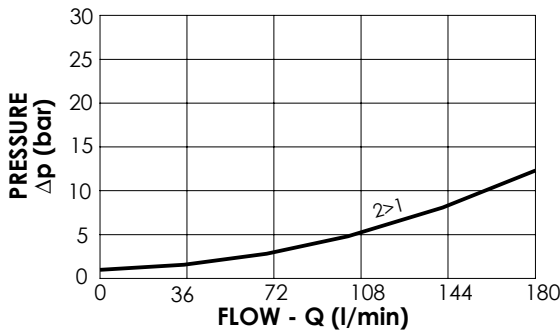
**OPTIONS**



**SEALING CAP**



Ordering code:  
AT000113



**ORDERING CODES**

Quick code	Description	Options	Max operating pressure (bar)
CE000315	CEBN-180-NCFN-01-S12-N350	Standard	350
CE000317	CEBN-180-NCFK-01-S12-N350	Knob style override	350
CE000615	CEBN-180-NCFN-01-S12-N500	Standard	500
CE000617	CEBN-180-NCFK-01-S12-N500	Knob style override	500