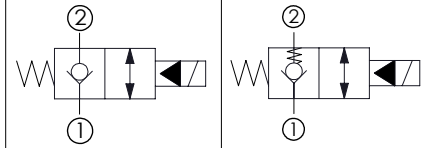
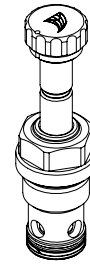
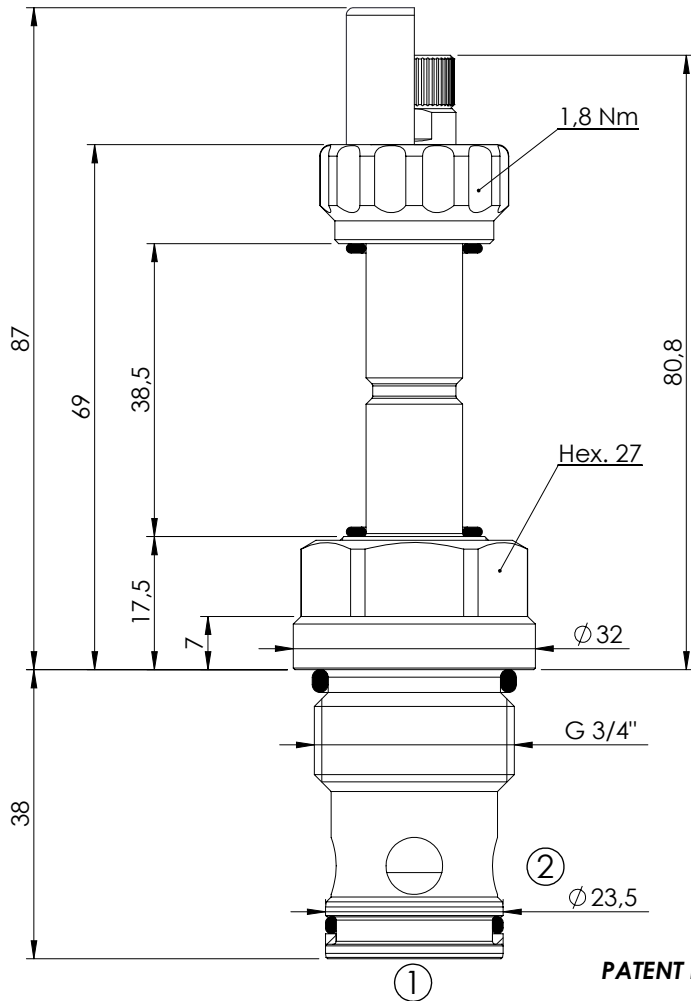


SOLENOID OPERATED CARTRIDGE

CEBN-100-NCFN

**PILOT OPERATED
POPPET TYPE**



With extra spring

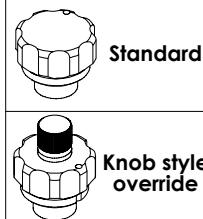
SPECIFICATIONS

Max. operating pressure:	350/500 bar
Rated flow:	100 l/min
Cavity:	VP000057
Weight:	0,25 kg
Min. voltage required:	90% of nominal
Coil type:	M7 type
Seal kit:	RC900057

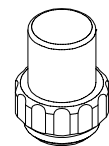
NOTES

Installation torque: 110 - 130 Nm

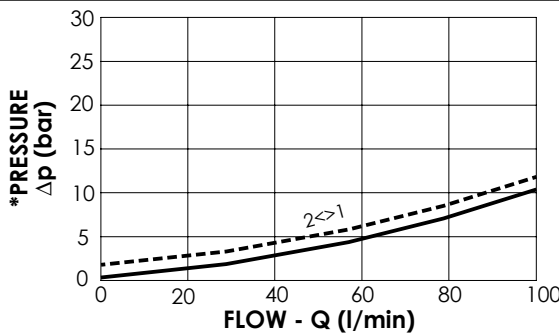
OPTIONS



SEALING CAP



Ordering code:
AT000113



Extra spring - - -

ORDERING CODES

Quick code	Description	Options	Max operating pressure (bar)	Extra Spring
CE000288	CEBN-100-NCFN-05-057-N350	Standard	350	No
CE000290	CEBN-100-NCFK-05-057-N350	Knob style override	350	No
CE000289	CEBN-100-XCFN-05-057-N350	Standard	350	Yes
CE000291	CEBN-100-XCFK-05-057-N350	Knob style override	350	Yes
CE000588	CEBN-100-NCFN-05-057-N500	Standard	500	No
CE000590	CEBN-100-NCFK-05-057-N500	Knob style override	500	No