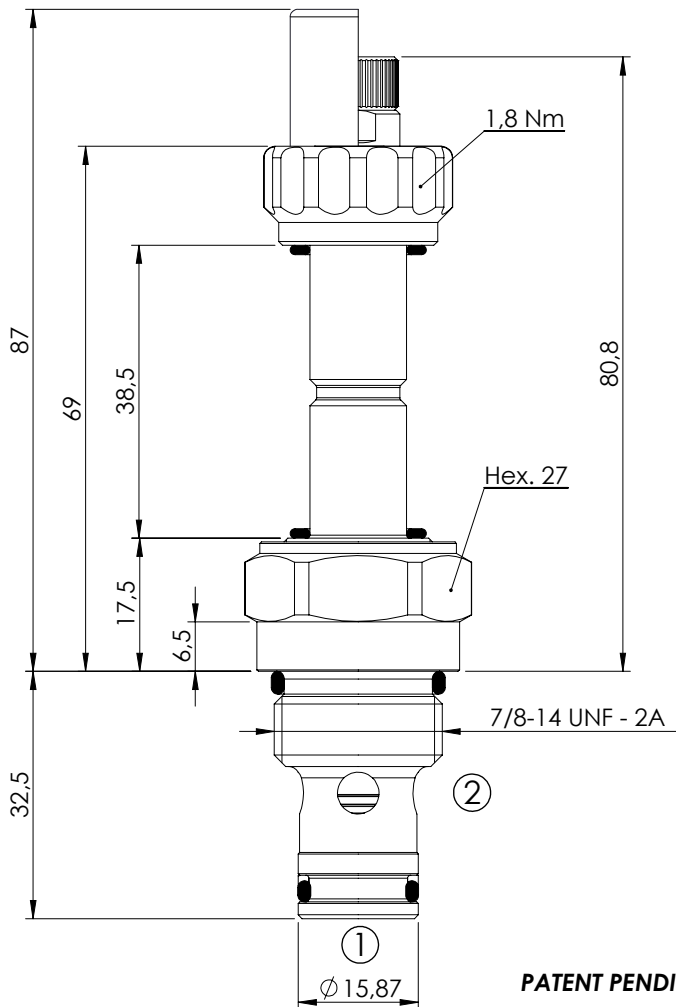


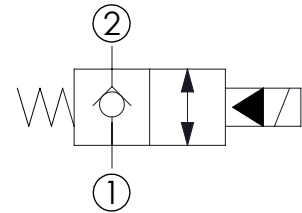
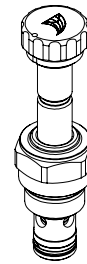
**SOLENOID OPERATED CARTRIDGE**

**CEBN-070-NCFN**

**PILOT OPERATED  
POPPET TYPE**



PATENT PENDING

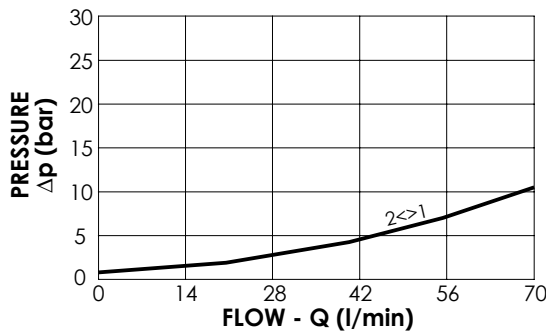


**SPECIFICATIONS**

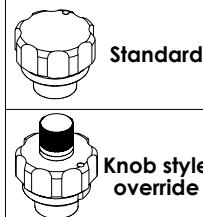
|                          |                |
|--------------------------|----------------|
| Max. operating pressure: | 350/500 bar    |
| Rated flow:              | 70 l/min       |
| Cavity:                  | SAE-10-2N      |
| Weight:                  | 0,18 kg        |
| Min. voltage required:   | 90% of nominal |
| Coil type:               | M7 type        |
| Seal kit:                | RA900082       |

**NOTES**

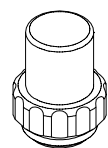
Installation torque: 55 - 62 Nm



**OPTIONS**



**SEALING CAP**



Ordering code:  
AT000113

**ORDERING CODES**

| Quick code | Description               | Options             | Max operating pressure (bar) |
|------------|---------------------------|---------------------|------------------------------|
| CE000249   | CEBN-070-NCFN-03-S10-N350 | Standard            | 350                          |
| CE000251   | CEBN-070-NCFK-03-S10-N350 | Knob style override | 350                          |
| CE000549   | CEBN-070-NCFN-03-S10-N500 | Standard            | 500                          |
| CE000551   | CEBN-070-NCFK-03-S10-N500 | Knob style override | 500                          |
|            |                           |                     |                              |
|            |                           |                     |                              |