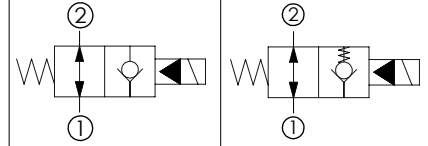
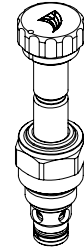
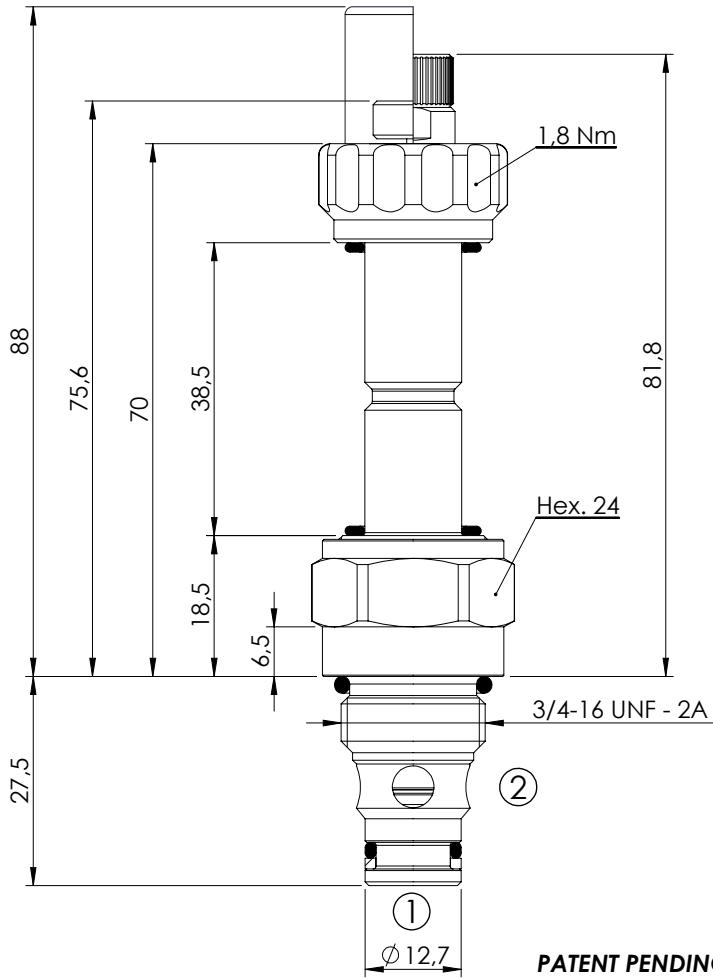


**SOLENOID OPERATED CARTRIDGE**

**CEBN-040-NAFN**

**PILOT OPERATED  
POPPET TYPE**



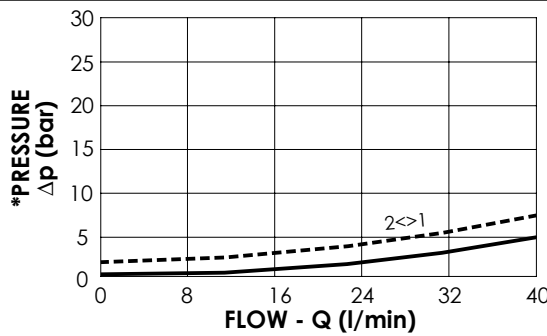
**With extra spring**

**SPECIFICATIONS**

Max. operating pressure:	350/500 bar
Rated flow:	40 l/min
Cavity:	SAE-08-2N
Weight:	0,14 kg
Min. voltage required:	90% of nominal
Coil type:	M7 type
Seal kit:	RA900081

**NOTES**

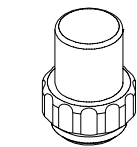
Installation torque: **45 - 50 Nm**



**OPTIONS**

- Standard**
- Push style override**
- Knob style override**

**SEALING CAP**



Ordering code:  
**AT000113**

**ORDERING CODES**

Quick code	Description	Options	Max operating pressure (bar)	Extra spring
CE000236	CEBN-040-NAFN-06-S08-N350	Standard	350	No
CE000237	CEBN-040-NAFP-06-S08-N350	Push style override	350	No
CE000238	CEBN-040-NAFK-06-S08-N350	Knob style override	350	No
CE000483	CEBN-040-XAFN-06-S08-N350	Standard	350	Yes
CE000536	CEBN-040-NAFN-06-S08-N500	Standard	500	No
CE000537	CEBN-040-NAFP-06-S08-N500	Push style override	500	No
CE000538	CEBN-040-NAFK-06-S08-N500	Knob style override	500	No