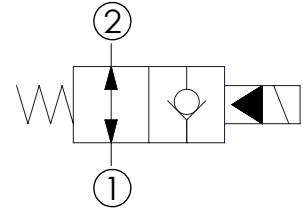
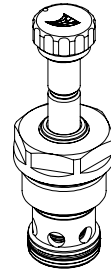
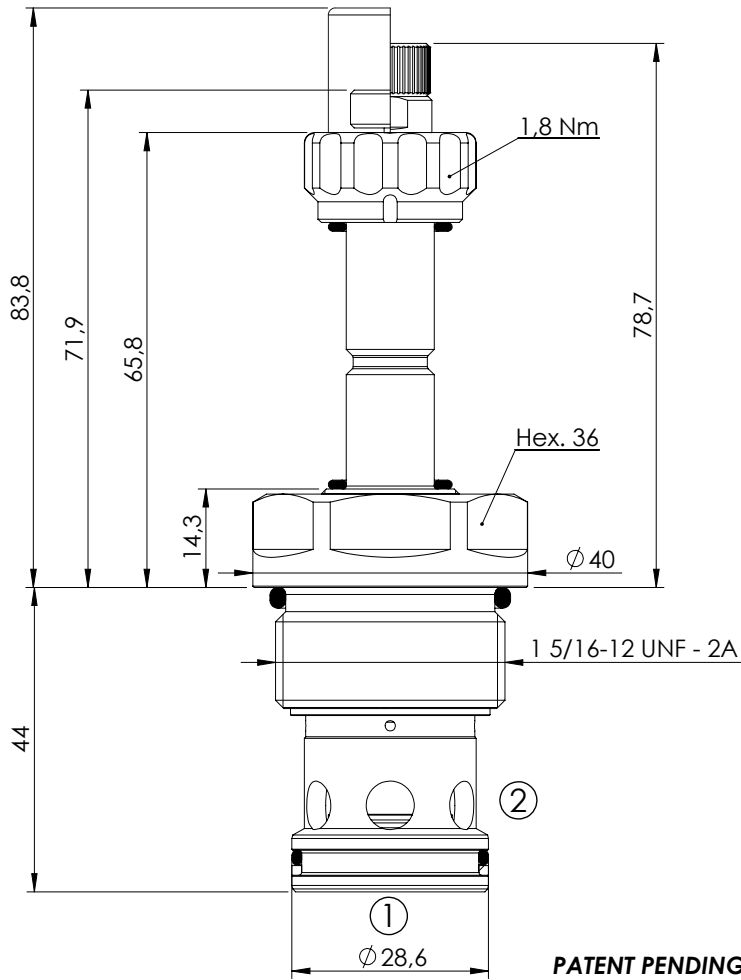


**SOLENOID OPERATED CARTRIDGE**

**CEBN-300-NAFN**

**PILOT OPERATED  
POPPET TYPE**

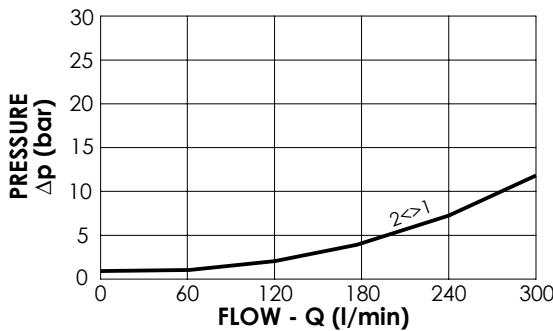


**SPECIFICATIONS**

|                          |                |
|--------------------------|----------------|
| Max. operating pressure: | 350/500 bar    |
| Rated flow:              | 300 l/min      |
| Cavity:                  | SAE-16-2N      |
| Weight:                  | 0,36 kg        |
| Min. voltage required:   | 90% of nominal |
| Coil type:               | M7 type        |
| Seal kit:                | RA900084       |

**NOTES**

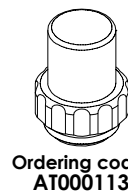
Installation torque: 118 - 132 Nm



**OPTIONS**

- Standard
- Push style override
- Knob style override

**SEALING CAP**



**ORDERING CODES**

| Quick code | Description               | Options             | Max operating pressure (bar) |
|------------|---------------------------|---------------------|------------------------------|
| CE000411   | CEBN-300-NAFN-06-S16-N350 | Standard            | 350                          |
| CE000412   | CEBN-300-NAFP-06-S16-N350 | Push style override | 350                          |
| CE000413   | CEBN-300-NAFK-06-S16-N350 | Knob style override | 350                          |
| CE000711   | CEBN-300-NAFN-06-S16-N500 | Standard            | 500                          |
| CE000712   | CEBN-300-NAFP-06-S16-N500 | Push style override | 500                          |
| CE000713   | CEBN-300-NAFK-06-S16-N500 | Knob style override | 500                          |