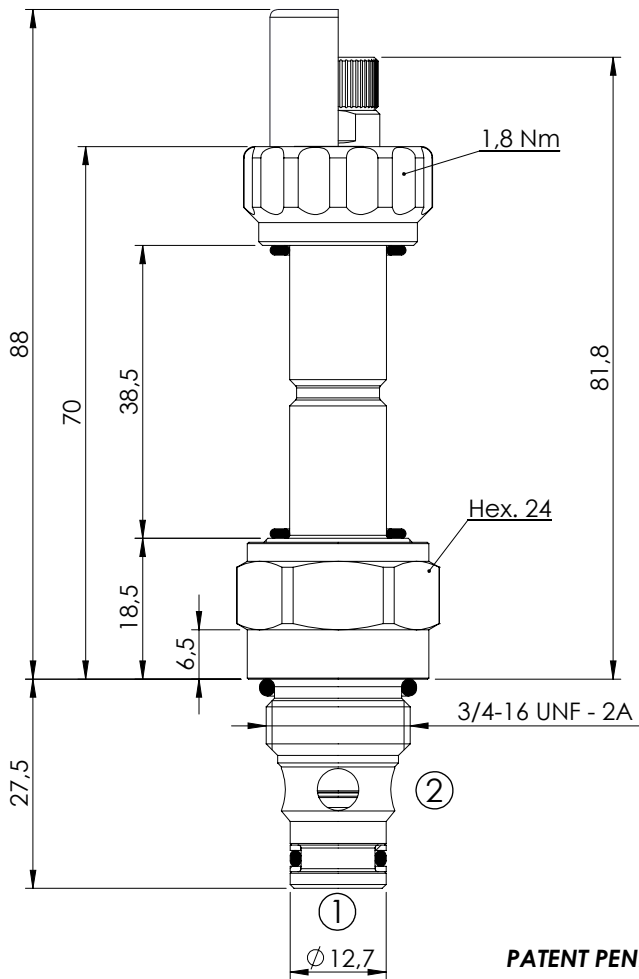


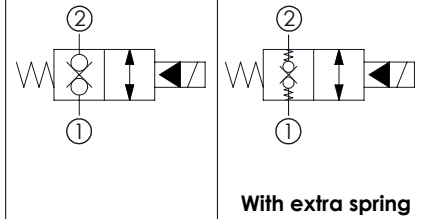
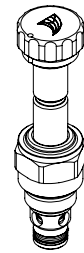
SOLENOID OPERATED CARTRIDGE

CEBN-040-NCFN

**PILOT OPERATED
POPPET TYPE**



PATENT PENDING

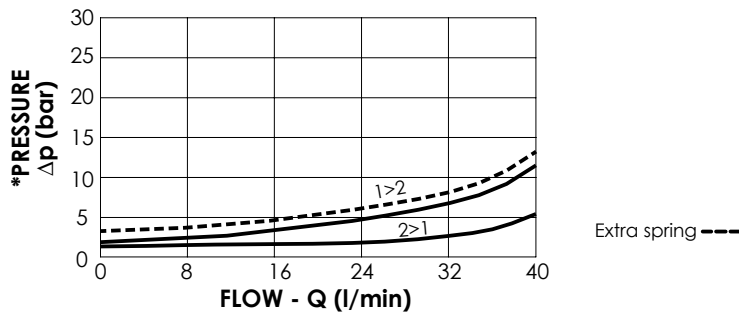


SPECIFICATIONS

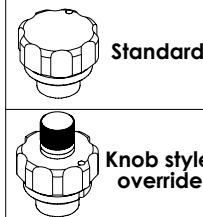
Max. operating pressure:	350/500 bar
Rated flow:	40 l/min
Cavity:	SAE-08-2N
Weight:	0,14 kg
Min. voltage required:	90% of nominal
Coil type:	M7 type
Seal kit:	RB900081

NOTES

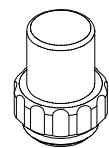
Installation torque: 45 - 50 Nm



OPTIONS



SEALING CAP



Ordering code:
AT000113

ORDERING CODES

Quick code	Description	Options	Max operating pressure (bar)	Extra Spring
CE000226	CEBN-040-NCFN-31-S08-N350	Standard	350	No
CE000228	CEBN-040-NCFK-31-S08-N350	Knob style override	350	No
CE000227	CEBN-040-XCFN-31-S08-N350	Standard	350	Yes
CE000229	CEBN-040-XCFK-31-S08-N350	Knob style override	350	Yes
CE000526	CEBN-040-NCFN-31-S08-N500	Standard	500	No
CE000528	CEBN-040-NCFK-31-S08-N500	Knob style override	500	No