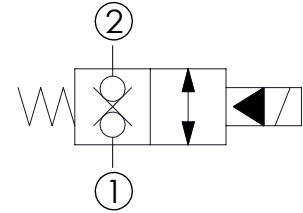
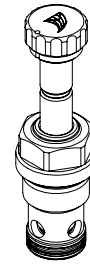
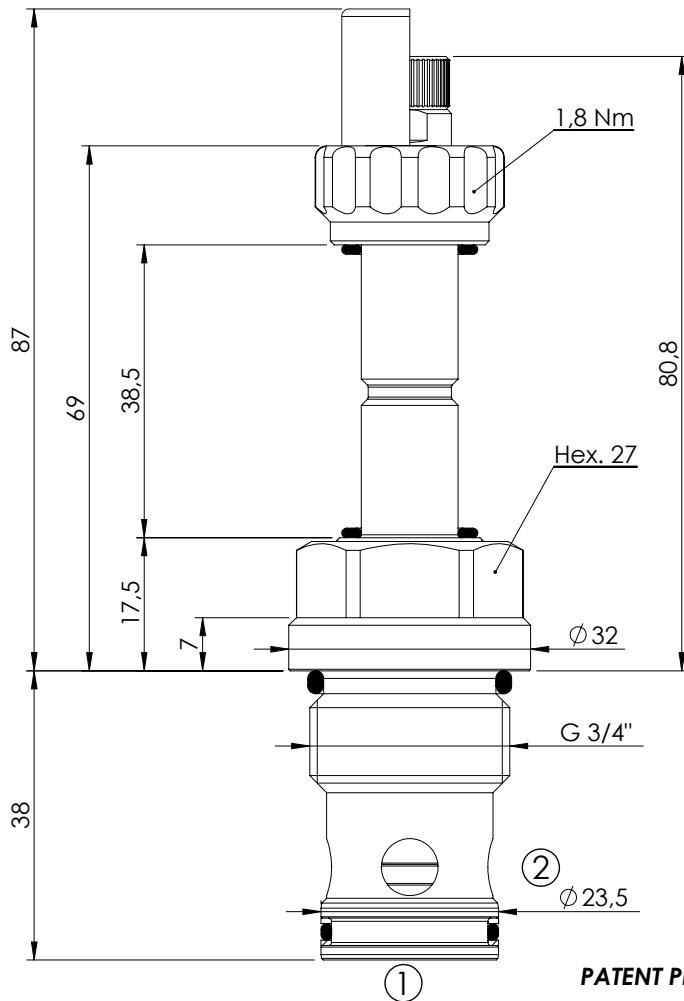


SOLENOID OPERATED CARTRIDGE

CEBN-100-NCFN

**PILOT OPERATED
POPPET TYPE**



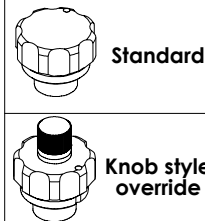
SPECIFICATIONS

Max. operating pressure:	350/500 bar
Rated flow:	100 l/min
Cavity:	VP000057
Weight:	0,25 kg
Min. voltage required:	90% of nominal
Coil type:	M7 type
Seal kit:	RD900057

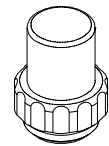
NOTES

Installation torque: 110 - 130 Nm

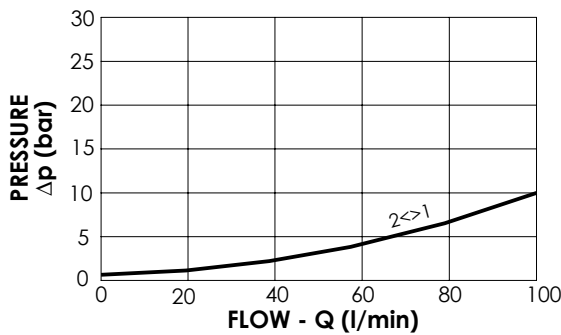
OPTIONS



SEALING CAP



Ordering code:
AT000113



ORDERING CODES

Quick code	Description	Options	Max operating pressure (bar)
CE000296	CEBN-100-NCFN-31-057-N350	Standard	350
CE000298	CEBN-100-NCFK-31-057-N350	Knob style override	350
CE000596	CEBN-100-NCFN-31-057-N500	Standard	500
CE000598	CEBN-100-NCFK-31-057-N500	Knob style override	500