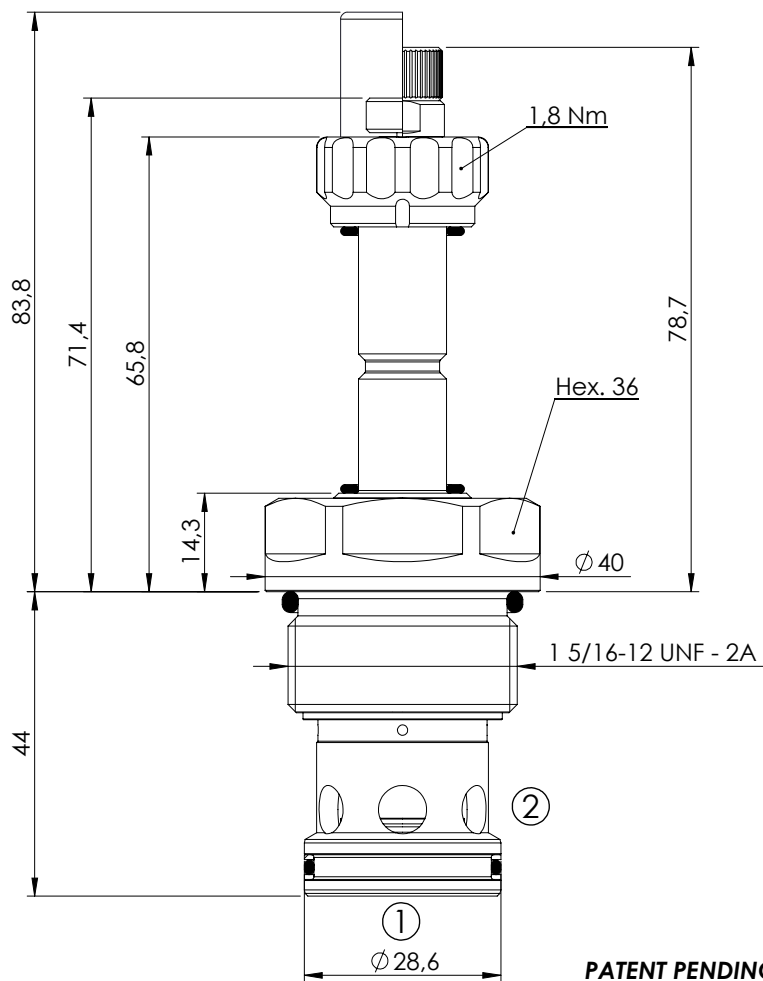


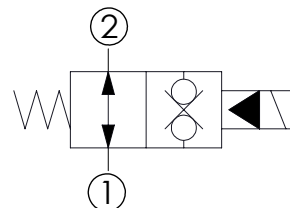
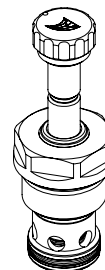
**SOLENOID OPERATED CARTRIDGE**

**CEBN-300-NAFN**

**PILOT OPERATED  
POPPET TYPE**



PATENT PENDING

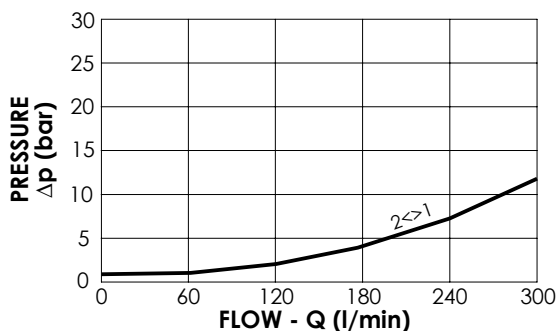


**SPECIFICATIONS**

Max. operating pressure:	350/500 bar
Rated flow:	300 l/min
Cavity:	SAE-16-2N
Weight:	0,36 kg
Min. voltage required:	90% of nominal
Coil type:	M7 type
Seal kit:	RB900084

**NOTES**

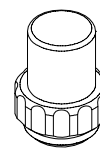
Installation torque: 118 - 132 Nm



**OPTIONS**

- Standard
- Push style override
- Knob style override

**SEALING CAP**



Ordering code:  
AT000113

**ORDERING CODES**

Quick code	Description	Options	Max operating pressure (bar)
CE000417	CEBN-300-NAFN-32-S16-N350	Standard	350
CE000418	CEBN-300-NAFP-32-S16-N350	Push style override	350
CE000419	CEBN-300-NAFK-32-S16-N350	Knob style override	350
CE000717	CEBN-300-NAFN-32-S16-N500	Standard	500
CE000718	CEBN-300-NAFP-32-S16-N500	Push style override	500
CE000719	CEBN-300-NAFK-32-S16-N500	Knob style override	500