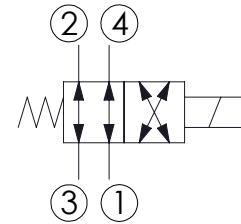
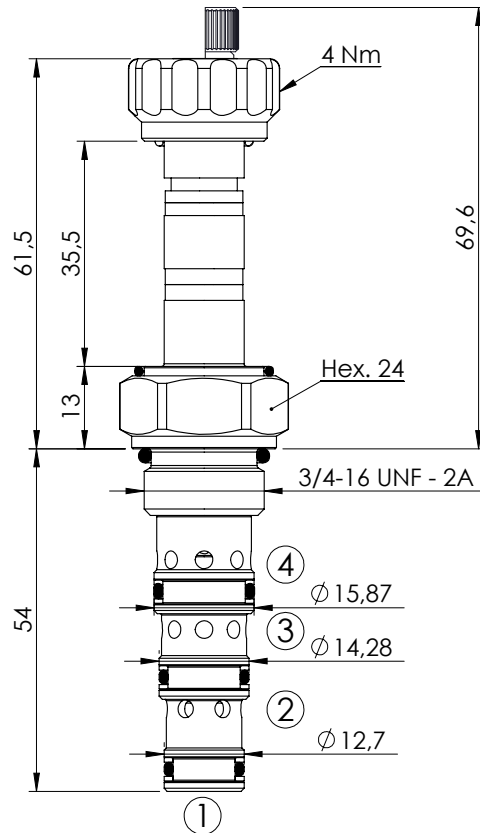


SOLENOID OPERATED CARTRIDGE

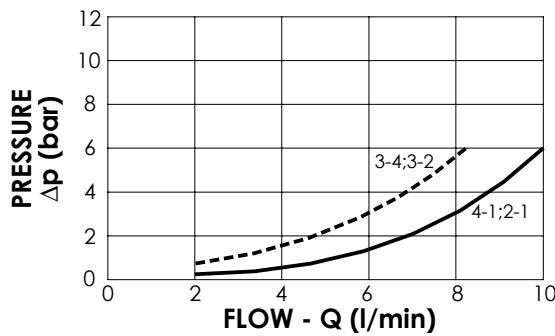
CEDS-010-SEFN

**DIRECT OPERATED
SPOOL TYPE**



SPECIFICATIONS

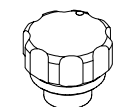
| | |
|--------------------------|-------------------------|
| Max. operating pressure: | 210 bar |
| Rated flow: | 10 l/min |
| Cavity: | SAE-08-4N |
| Weight: | 0,14 kg |
| Min. voltage required: | 90% of nominal |
| Coil type: | M7 type |
| Leakage: | 120cm ³ /min |
| Seal kit: | RB700101 |



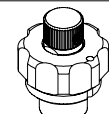
NOTES

Installation torque: **45 - 50 Nm**

OPTIONS



Standard



Knob style
override

ORDERING CODES

| Quick code | Description | Options | |
|------------|---------------------------|---------------------|--|
| CE000014 | CEDS-010-SEFN-40-S08-N210 | Standard | |
| CE000071 | CEDS-010-SEFE-40-S08-N210 | Knob style override | |
| | | | |
| | | | |
| | | | |
| | | | |