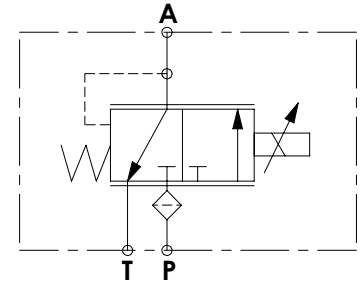
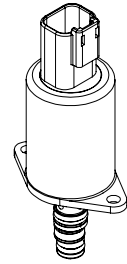
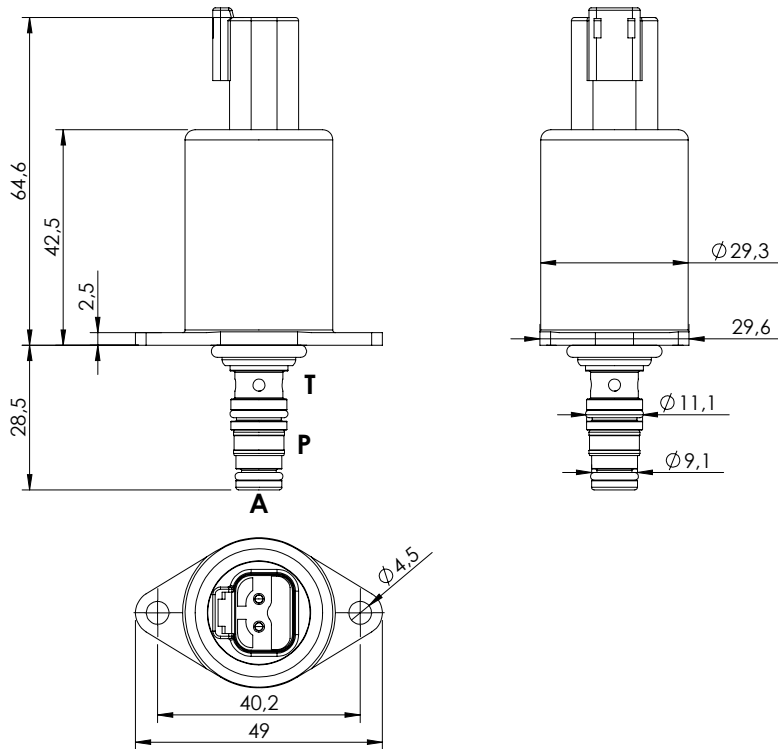


SOLENOID OPERATED CARTRIDGE

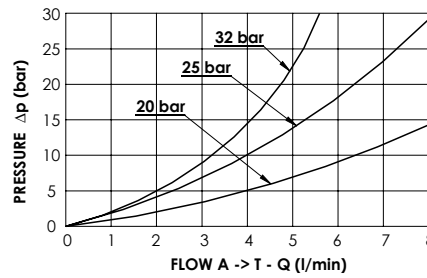
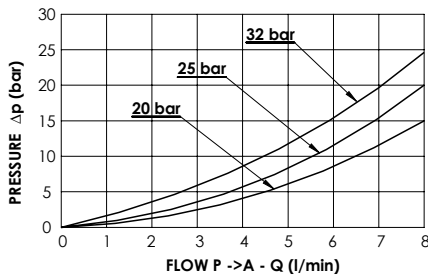
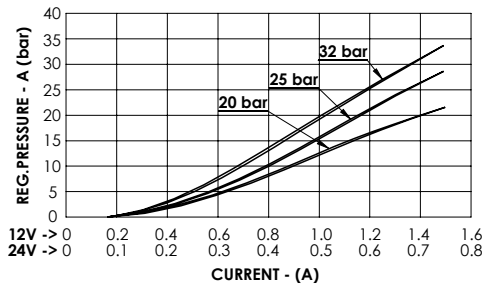
CECS-005-PRPN

**PROPORTIONAL VALVES
DIRECT OPERATED
PRESSURE REDUCING**



SPECIFICATIONS

Max. P pressure:	50 bar
Max. T pressure:	30 bar
Rated flow:	5 l/min
Cavity:	VP000371
Weight:	0.3 kg
Connector type:	Deutsch DT04-2P
Internal leakage:	15 cc/min (@ 25 bar, 46 cSt)
Protection class:	Up to IP6K6 / IPX9K
PWM range recommended:	100 Hz
Filter on P port:	125 µm
Mounting screw:	2 x M4x10 class 8.8
Mounting screw torque:	3.5 Nm
Mounting screw not included	
Seal kit:	RC700371



ORDERING CODES

Quick code	Description	Regulated pressure range (bar)	Voltage (V)	Current (mA)	Resistance (Ω) ± 5%	Hysteresis (bar) pA
CE000850	CECS-005-PRPN-95-371-N020-12DT	0-20	12	1500	4.72	< 0.7
CE000851	CECS-005-PRPN-95-371-N020-24DT	0-20	24	750	20.8	< 0.7
CE000852	CECS-005-PRPN-95-371-N025-12DT	0-25	12	1500	4.72	< 1.0
CE000853	CECS-005-PRPN-95-371-N025-24DT	0-25	24	750	20.8	< 1.0
CE000893	CECS-005-PRPN-95-371-N032-12DT	0-32	12	1500	4.72	< 1.0
CE000862	CECS-005-PRPN-95-371-N032-24DT	0-32	24	750	20.8	< 1.0